

Mountain Top® Sports Bar

Installation manual

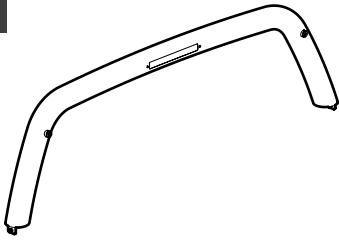


DOWNLOAD PDF



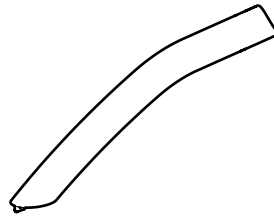
Parts

A



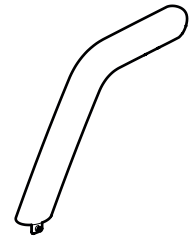
x 1

B



x 1

C



x 1



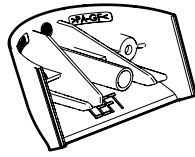
Kit

D



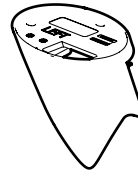
x 1

E



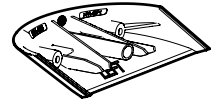
x 1

F



x 1

G



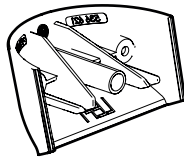
x 1

H



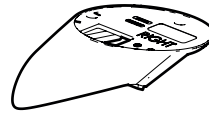
x 1

I



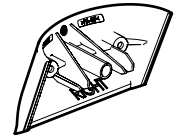
x 1

J



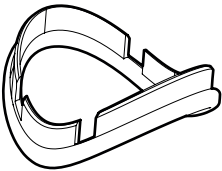
x 1

K



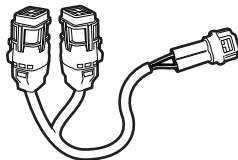
x 1

L



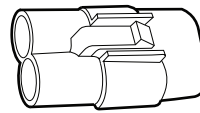
x 2

M



x 1

N



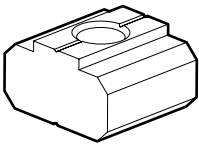
x 1

O



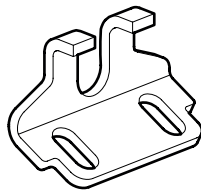
x 2

P



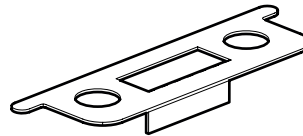
x 8

Q



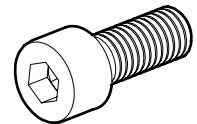
x 4

R



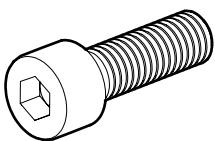
x 4

S



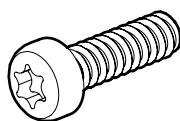
x 4

T



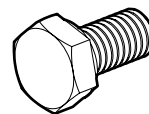
x 2

U



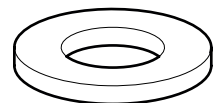
x 8

V



x 8

W

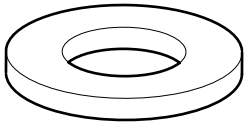


x 8



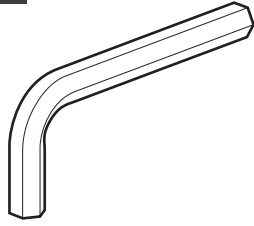
Kit

X

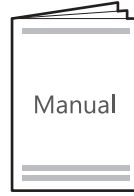


x 6

Y



x 1



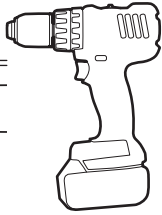
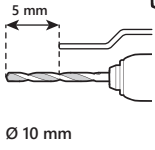
x 1



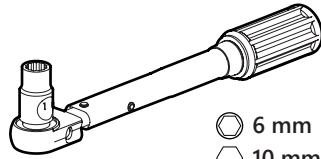
x 1



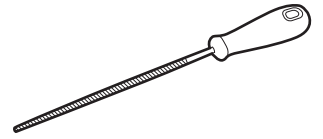
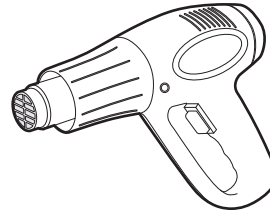
Tools and materials needed



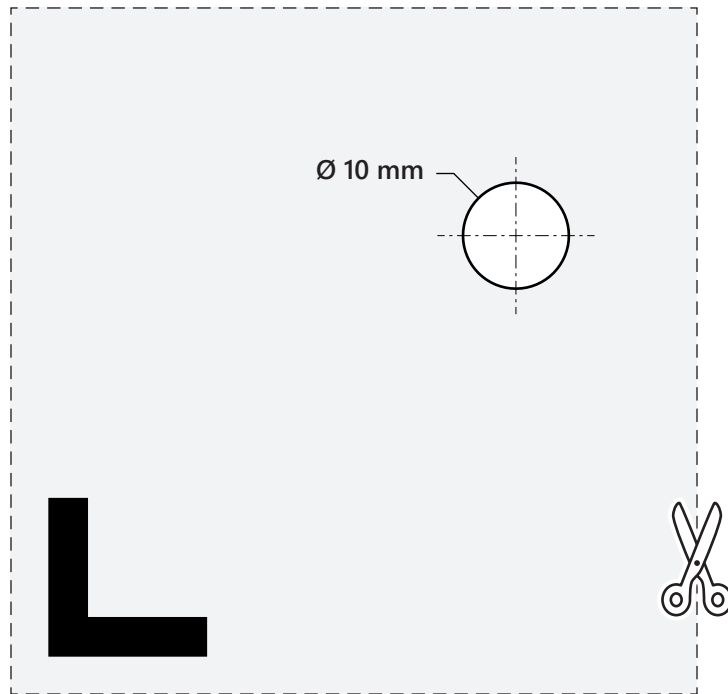
1-25 Nm



- 6 mm
- 10 mm
- T15

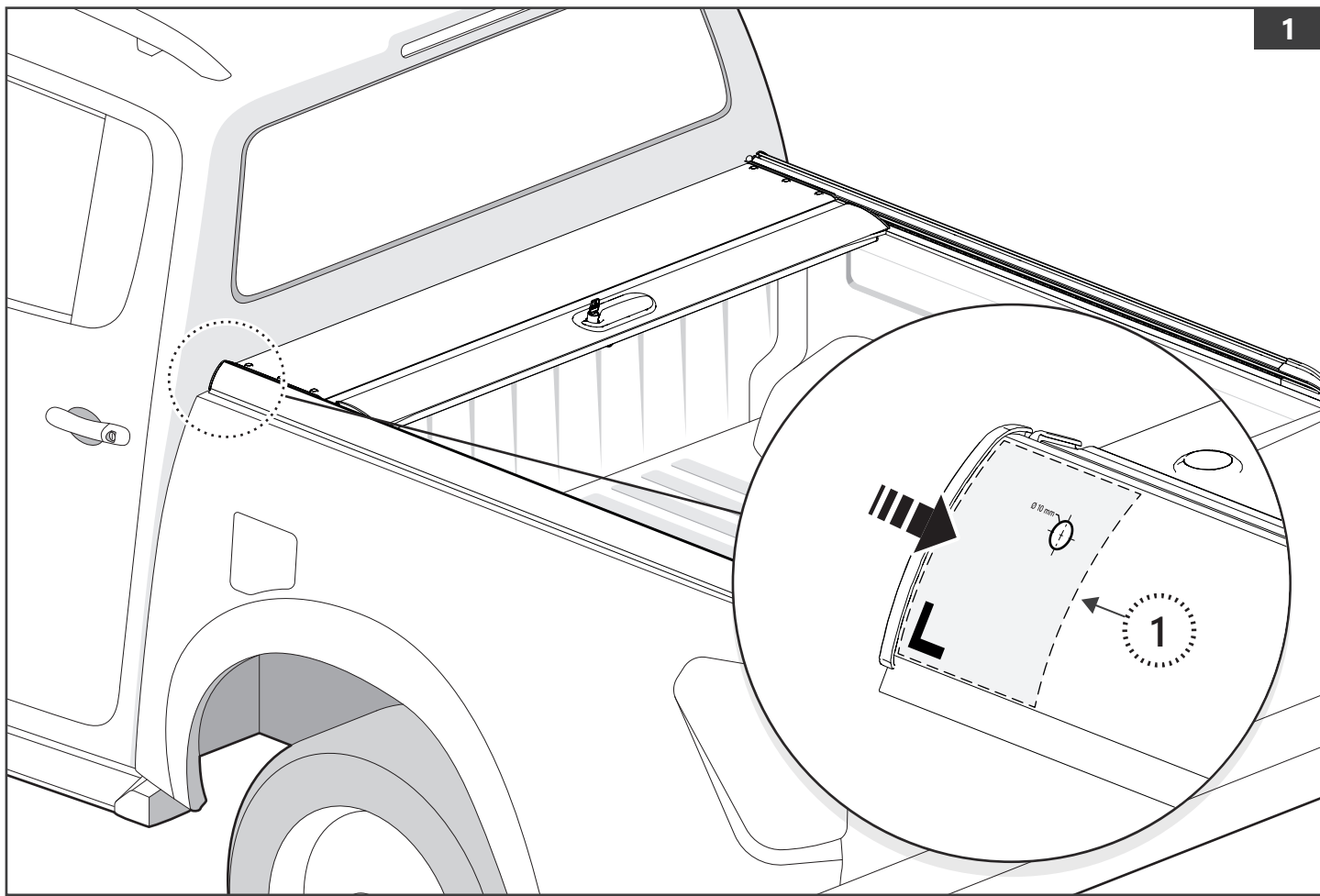


1 →

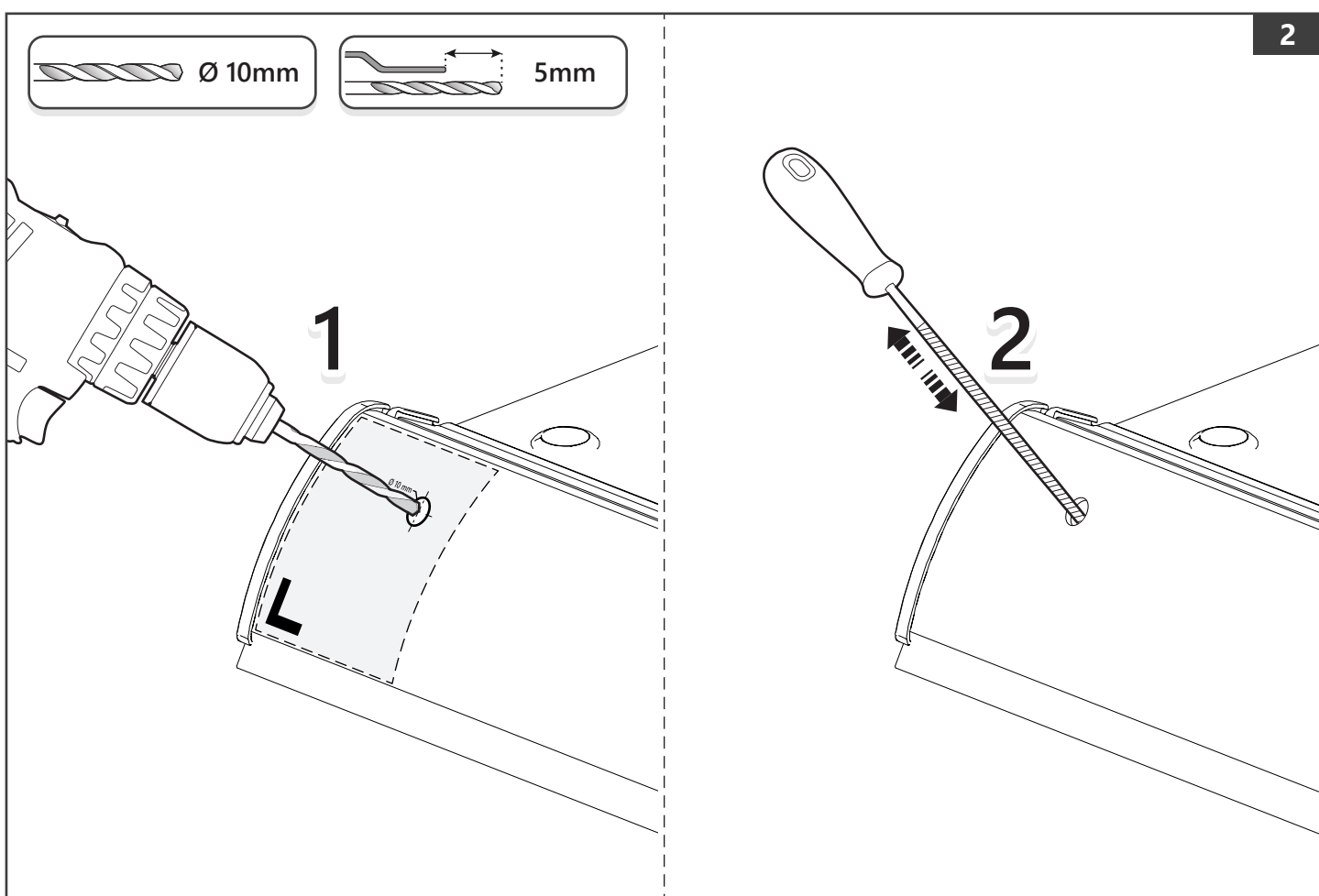


SCALE 1:1 PRINTED IN A5

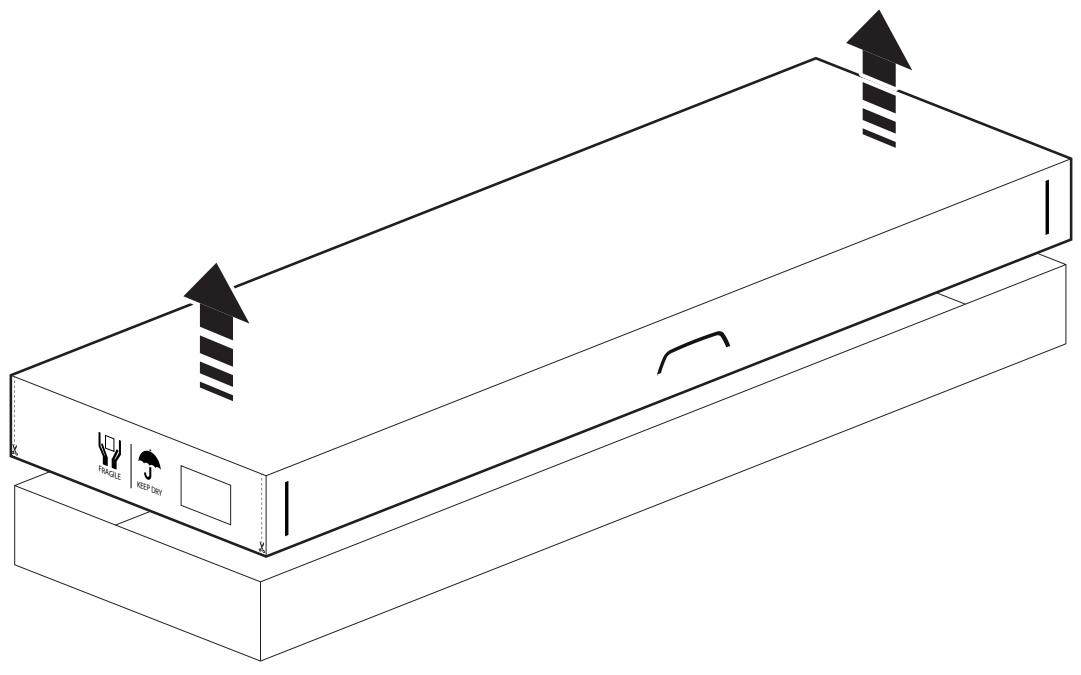
1



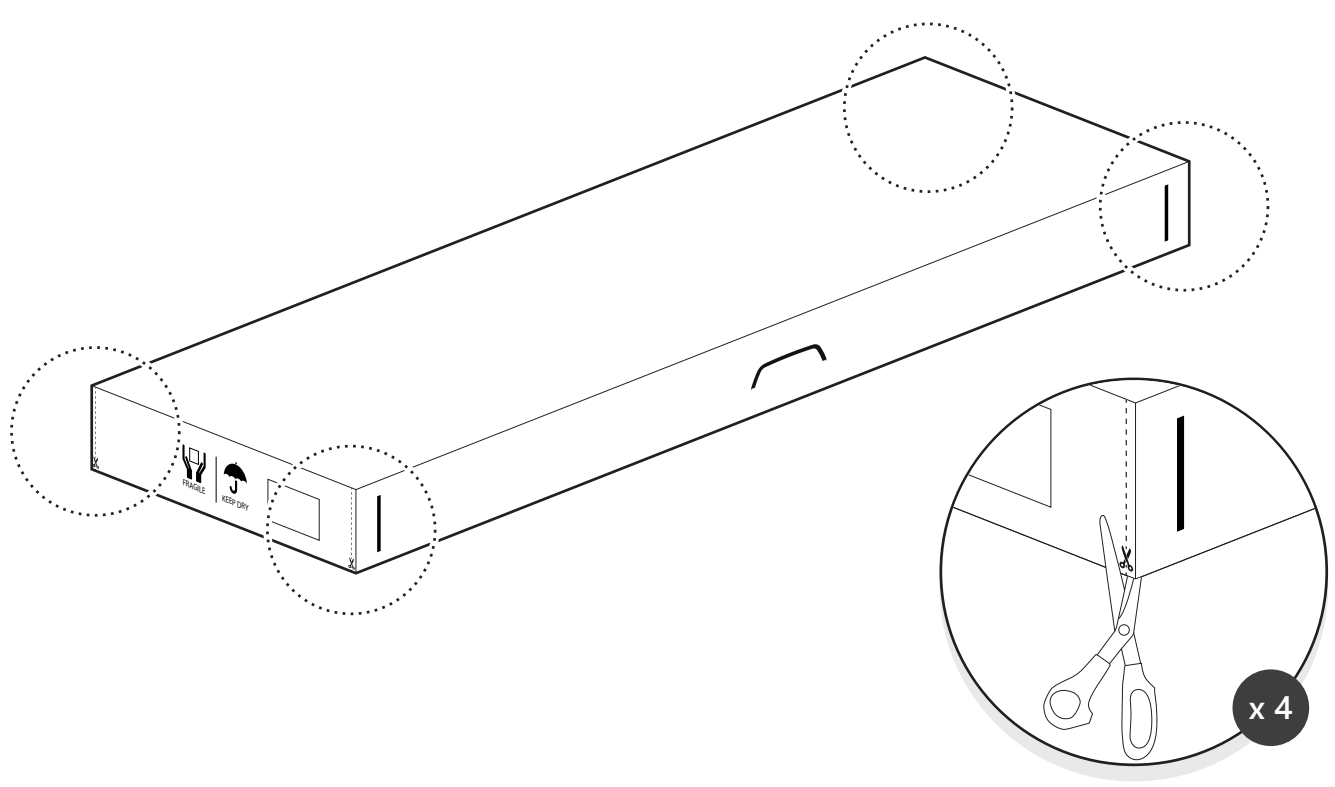
2

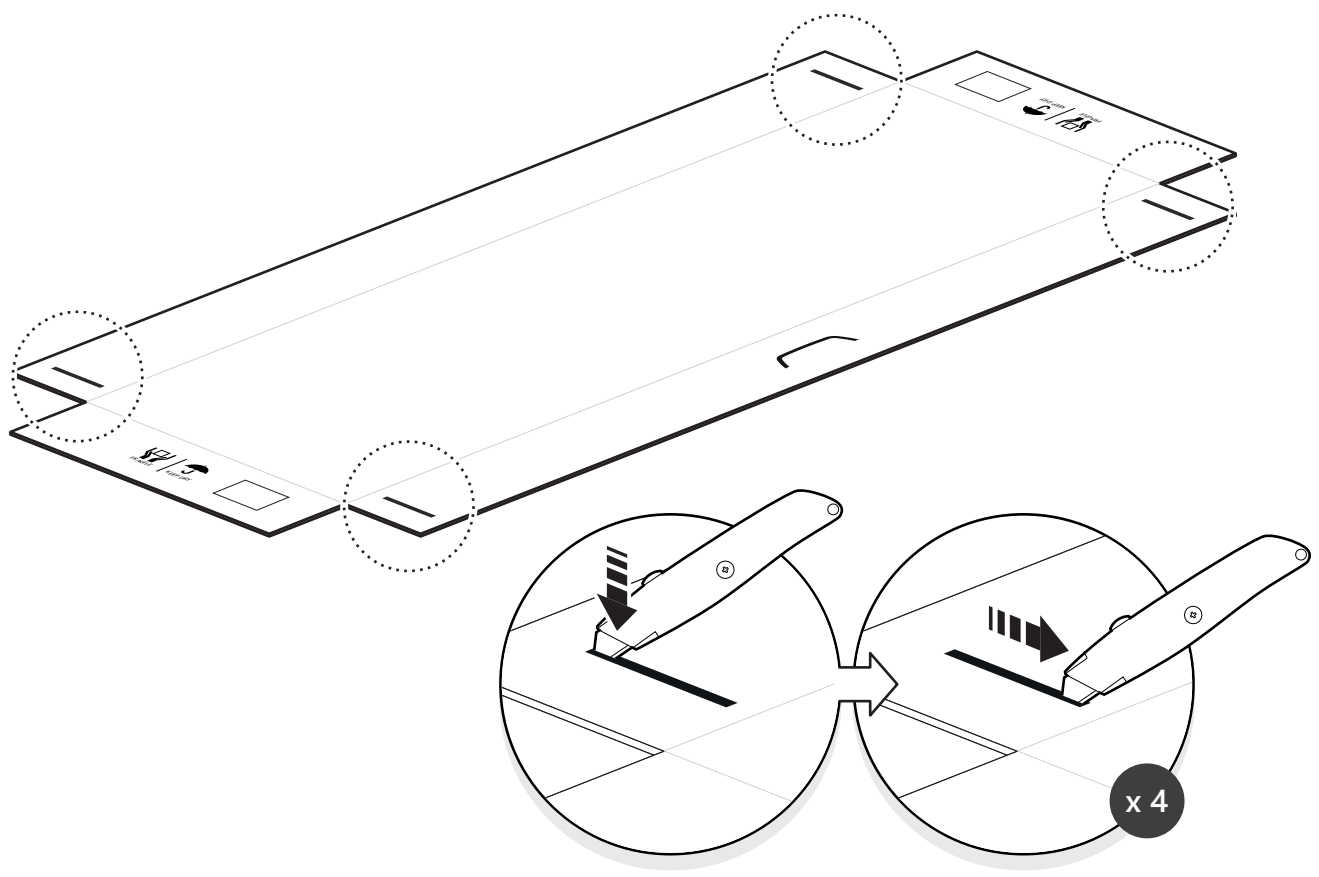
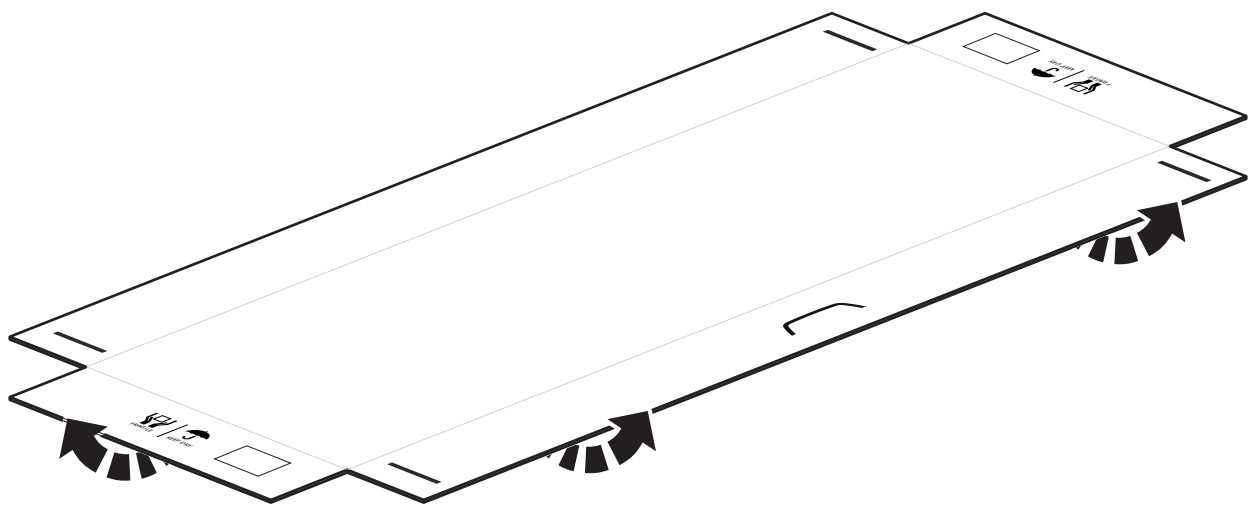


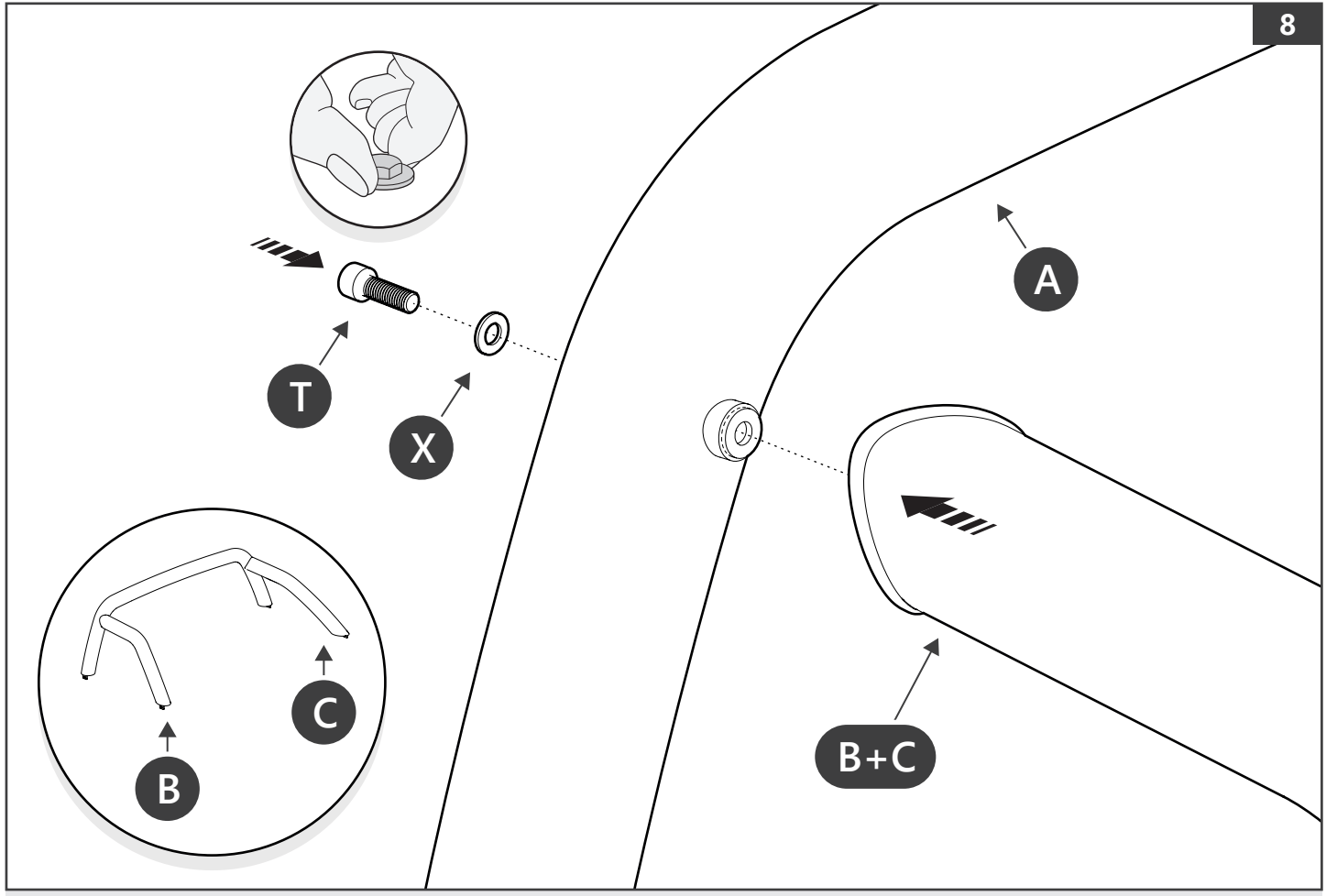
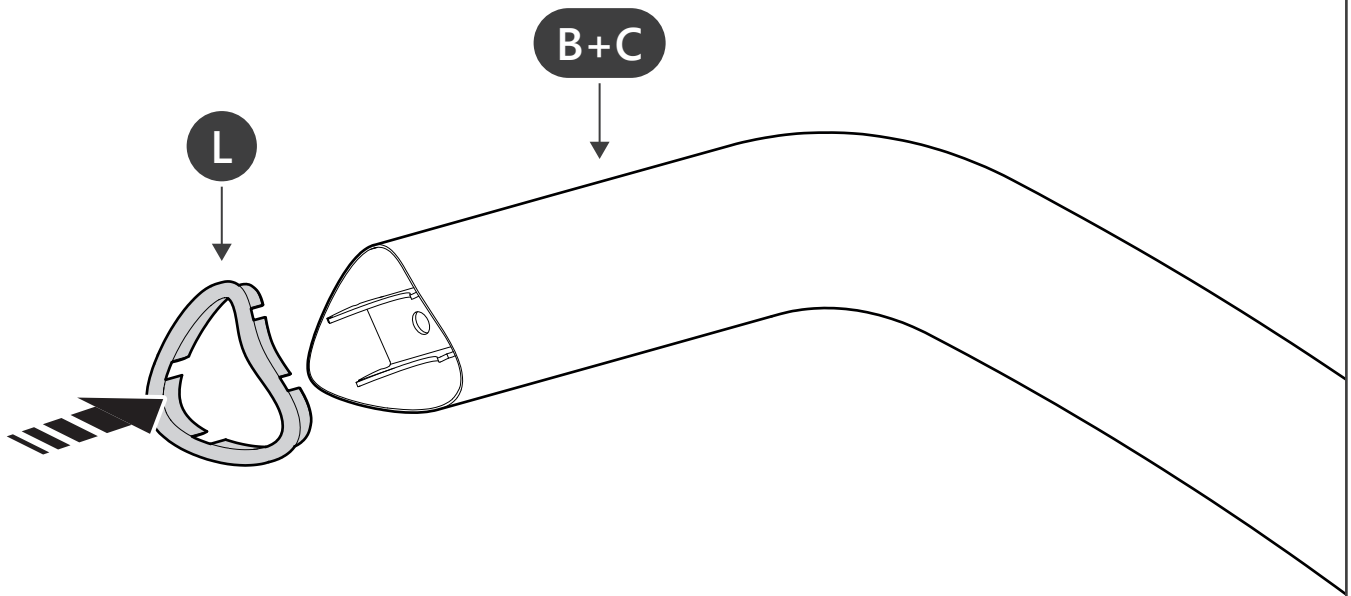
3

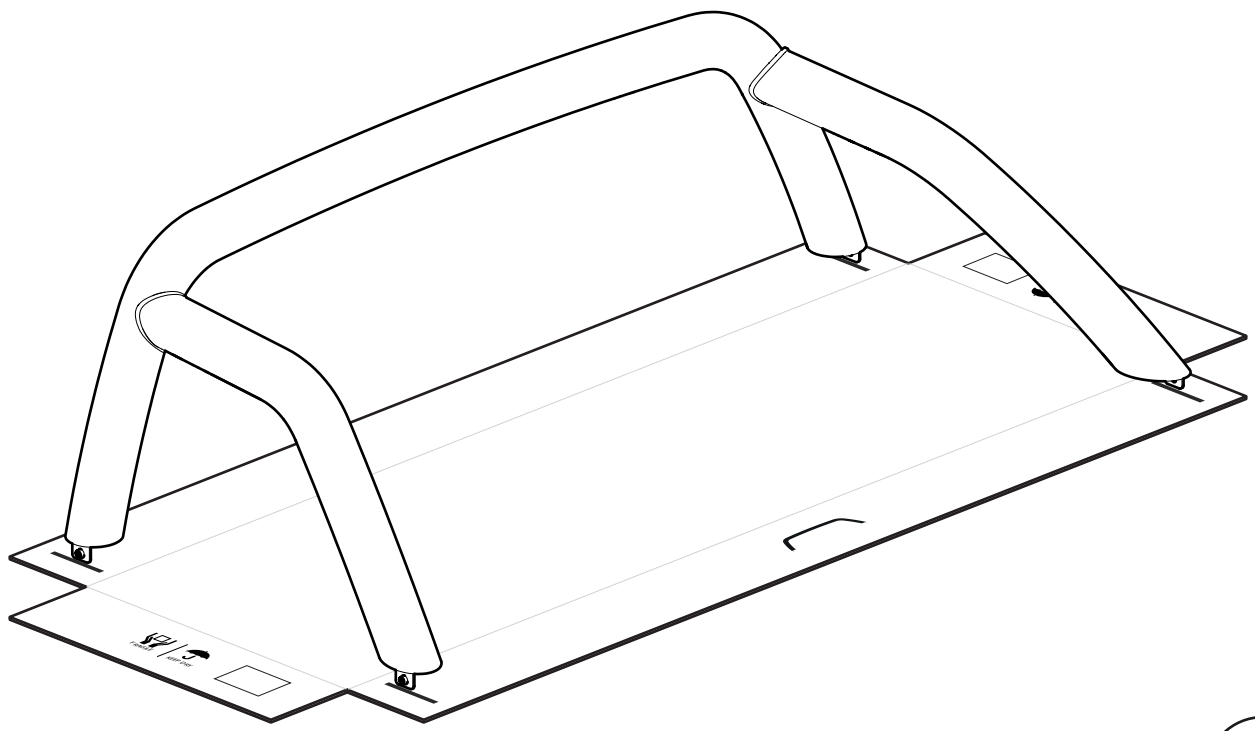
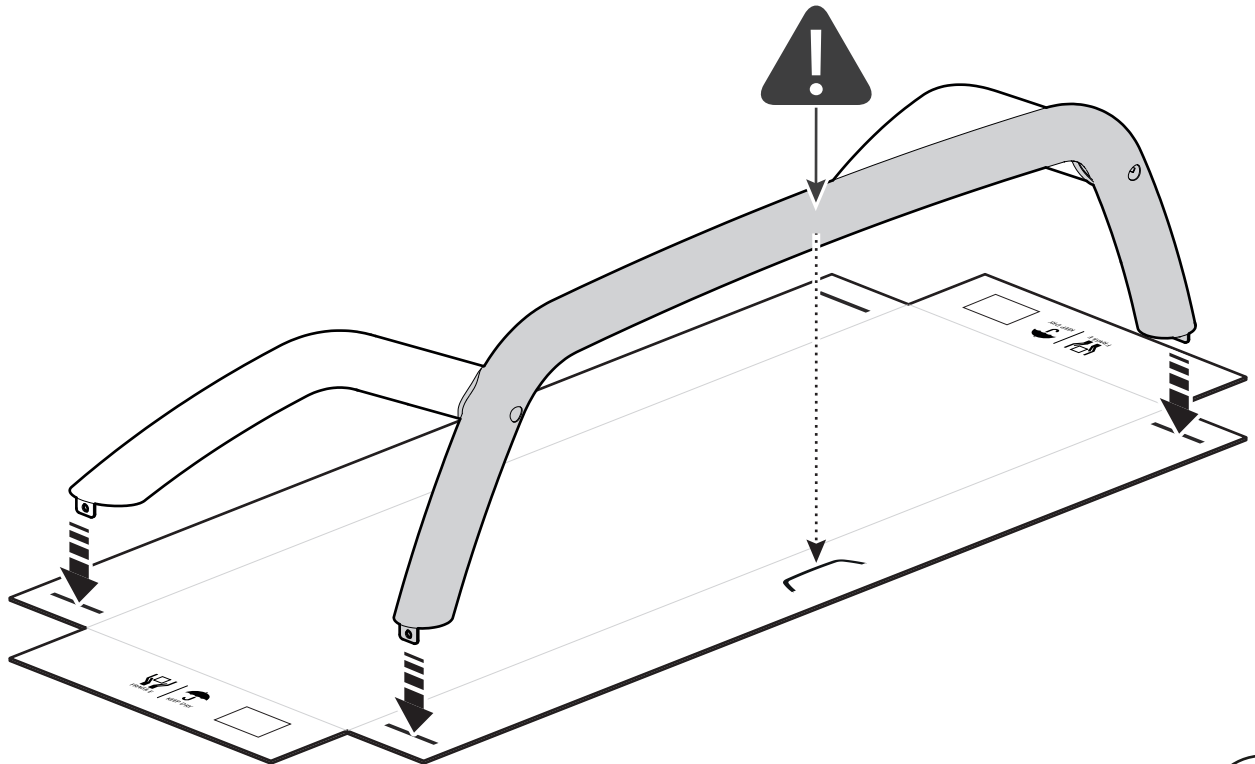


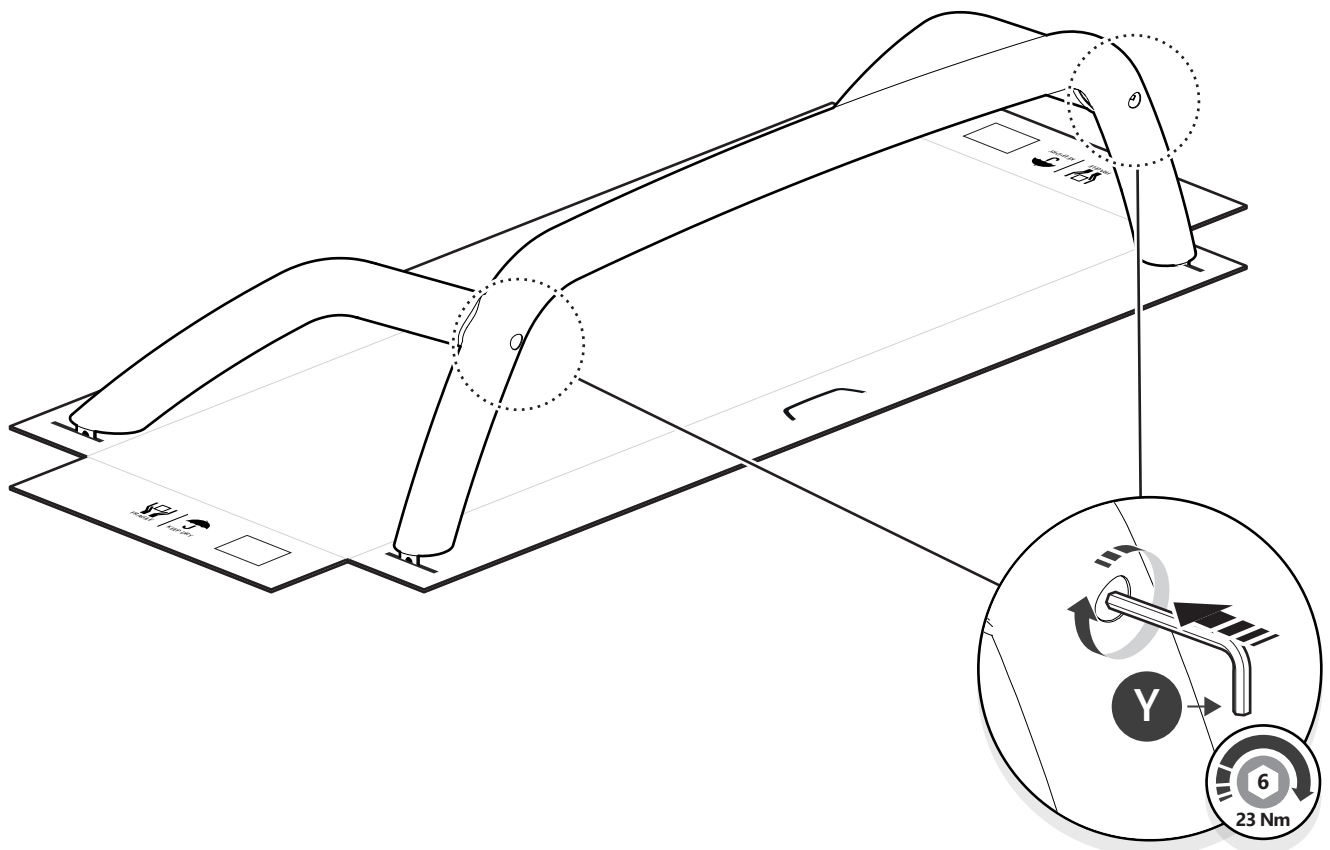
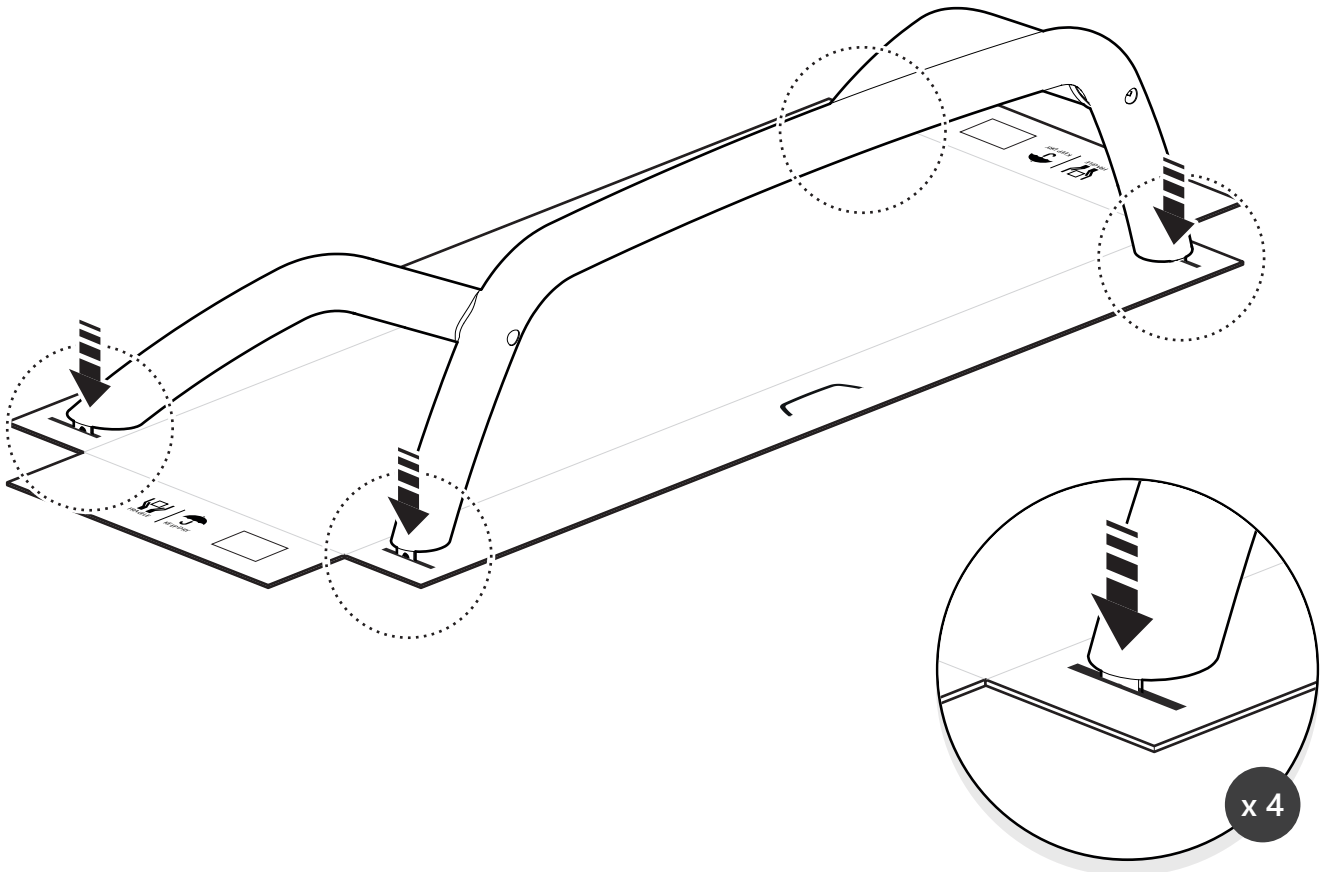
4

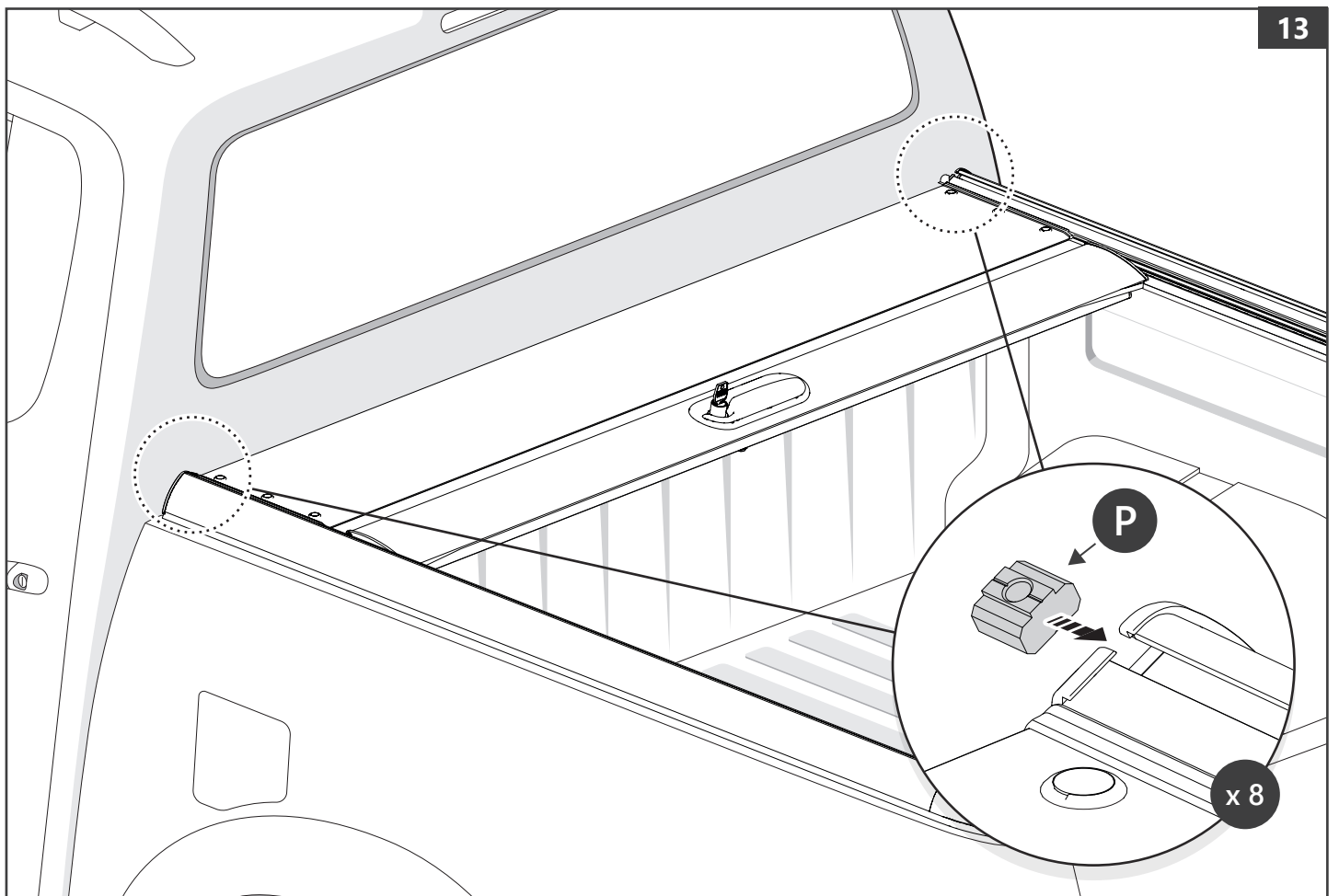
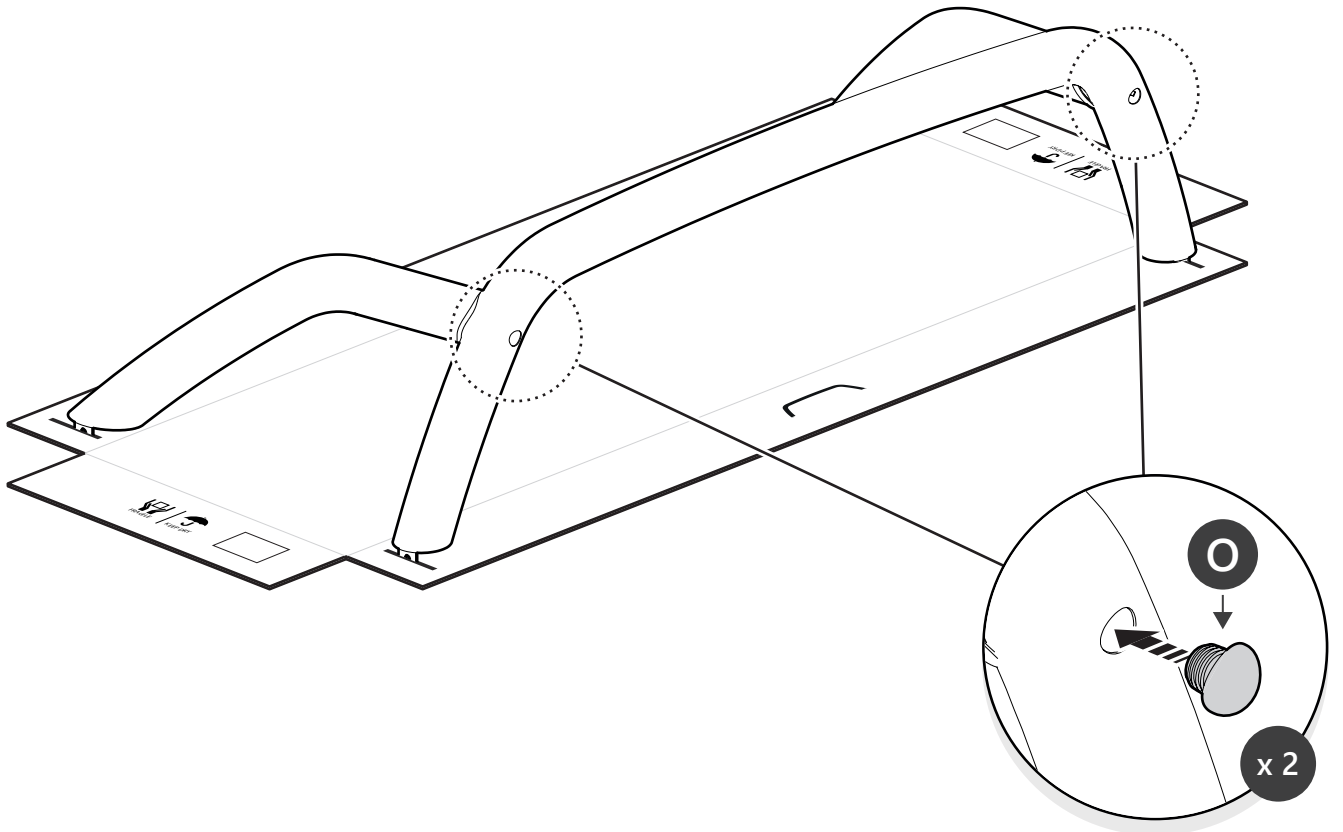


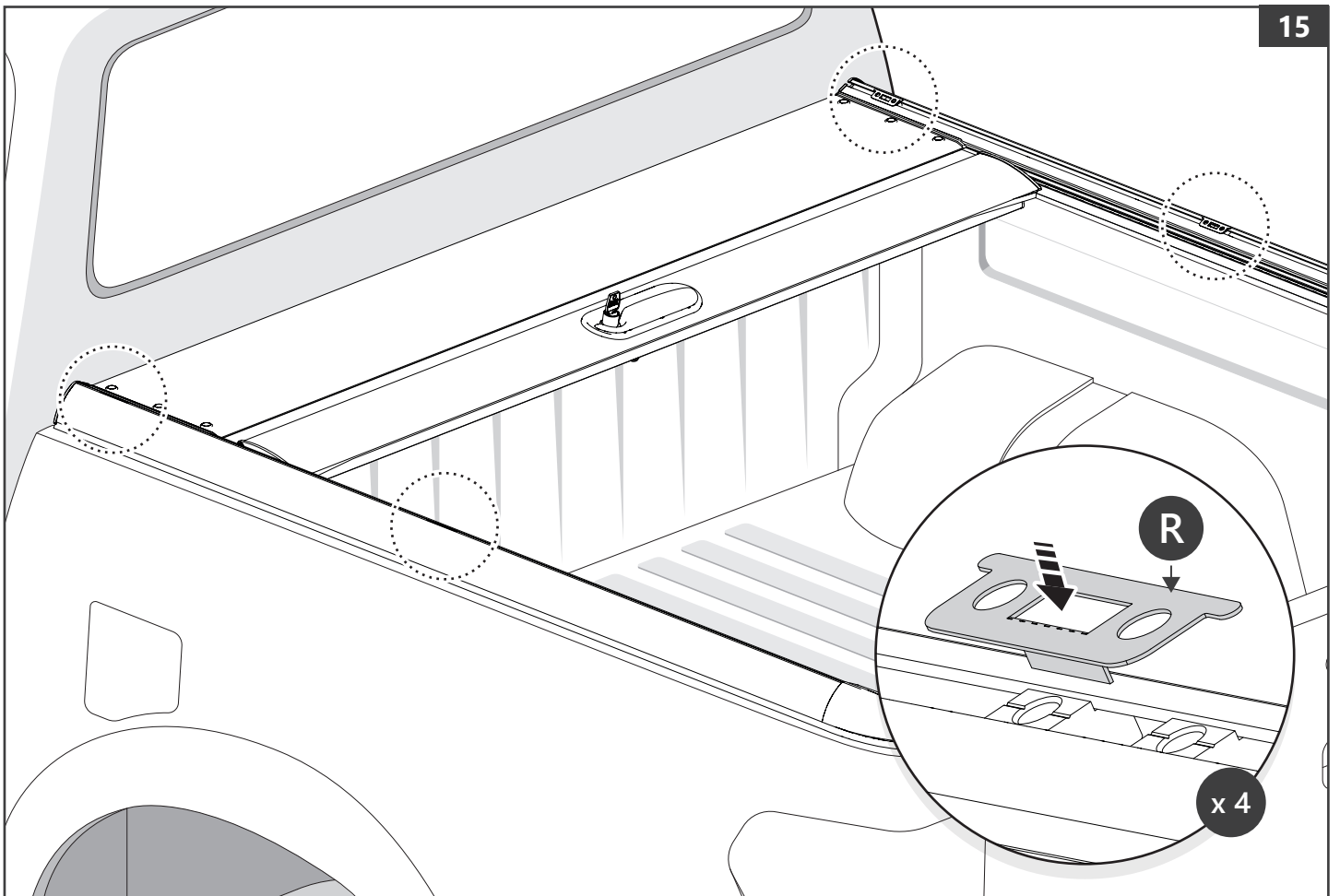
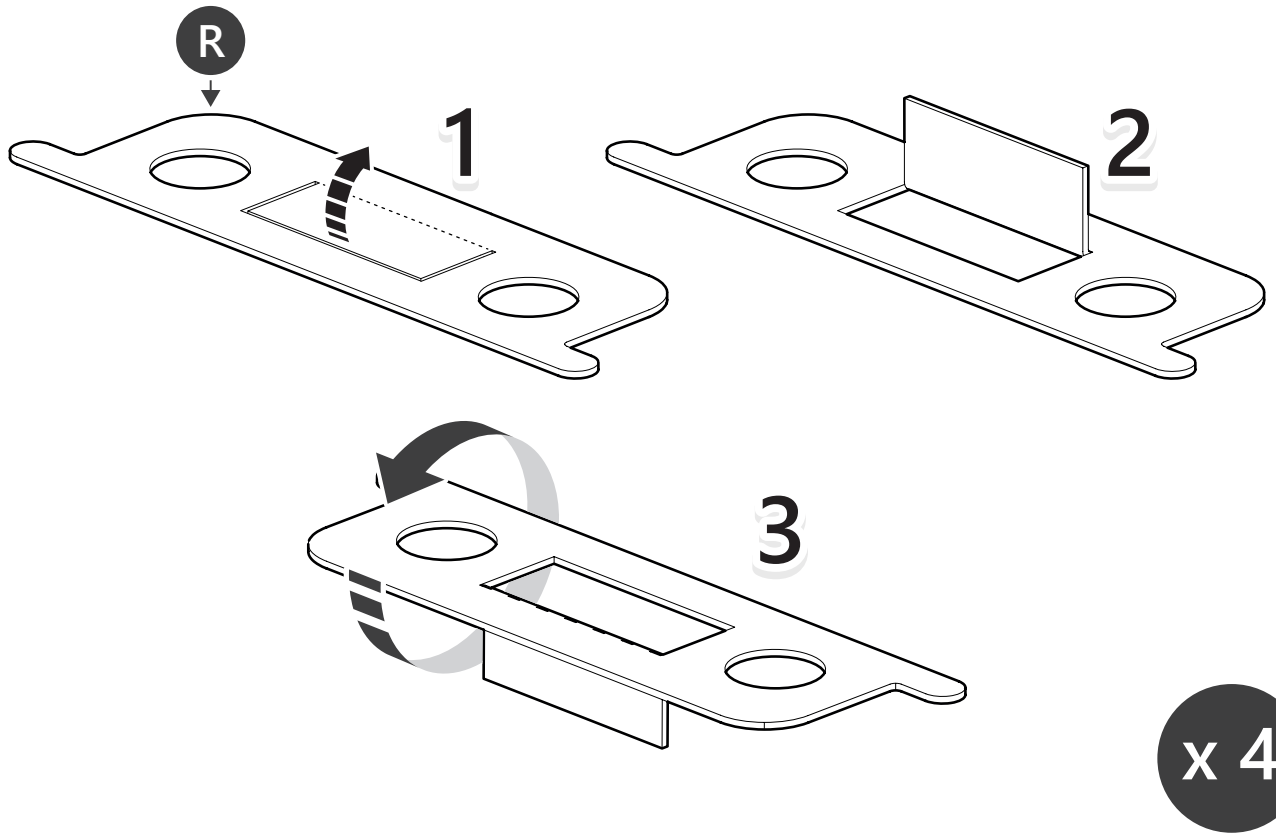


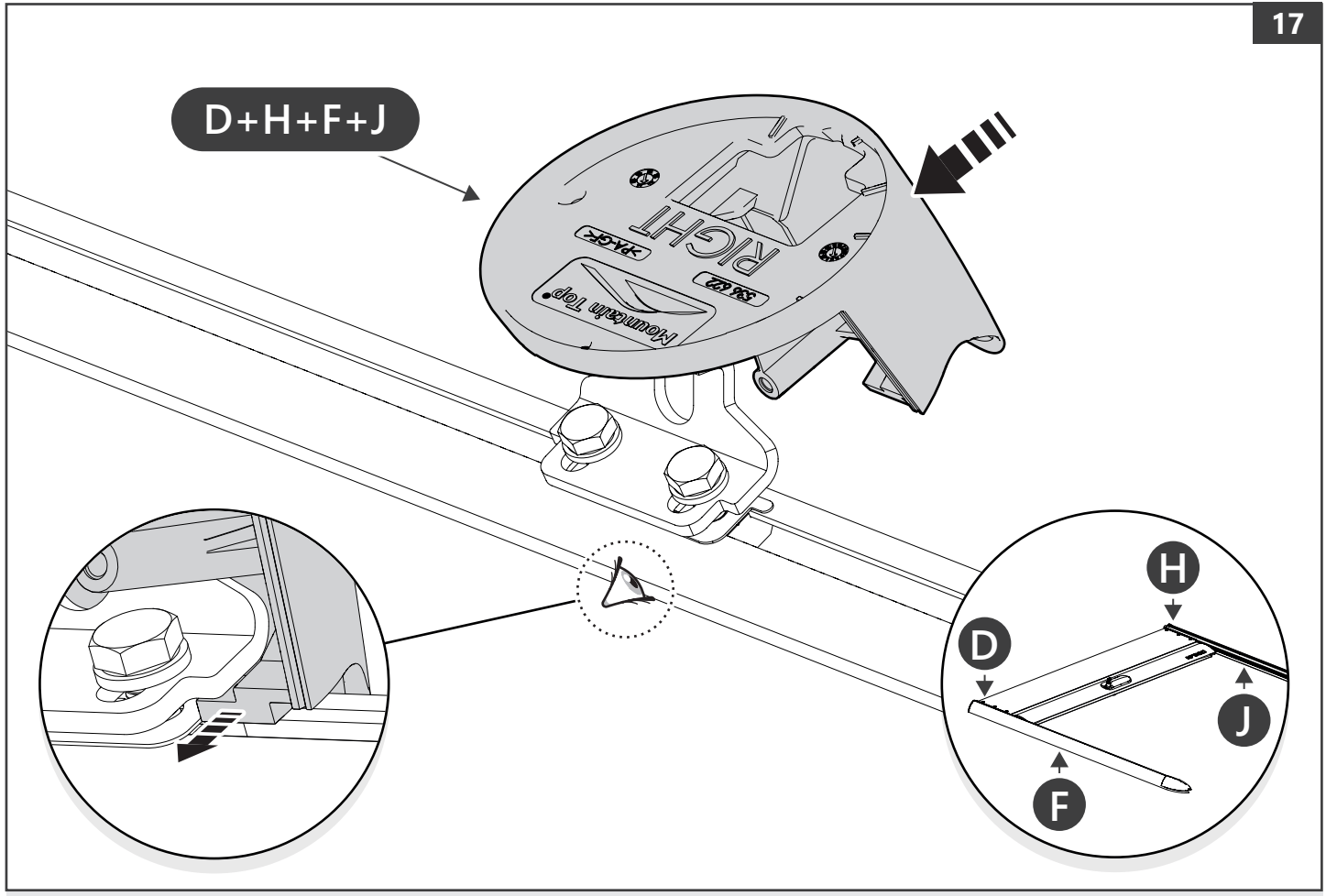
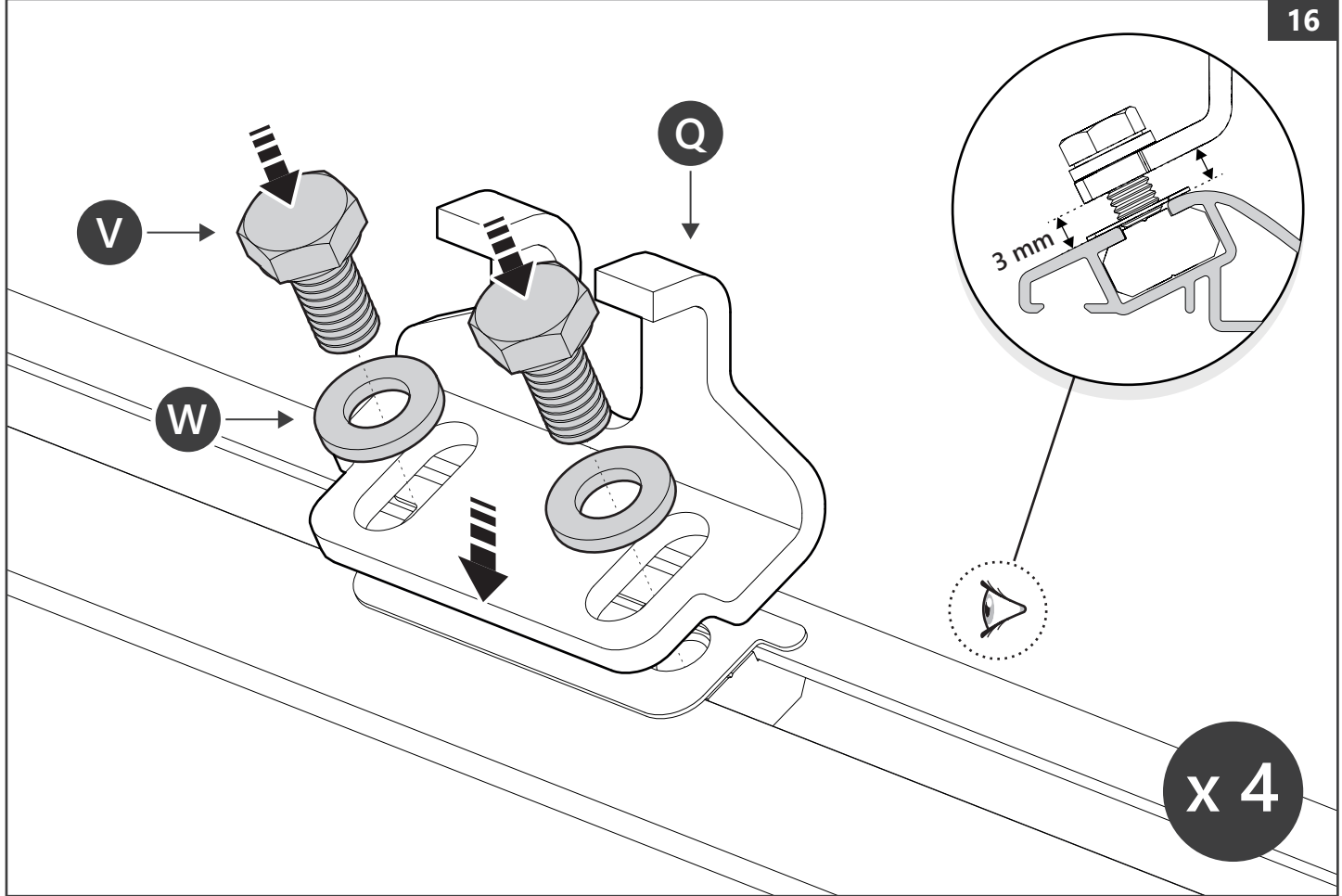


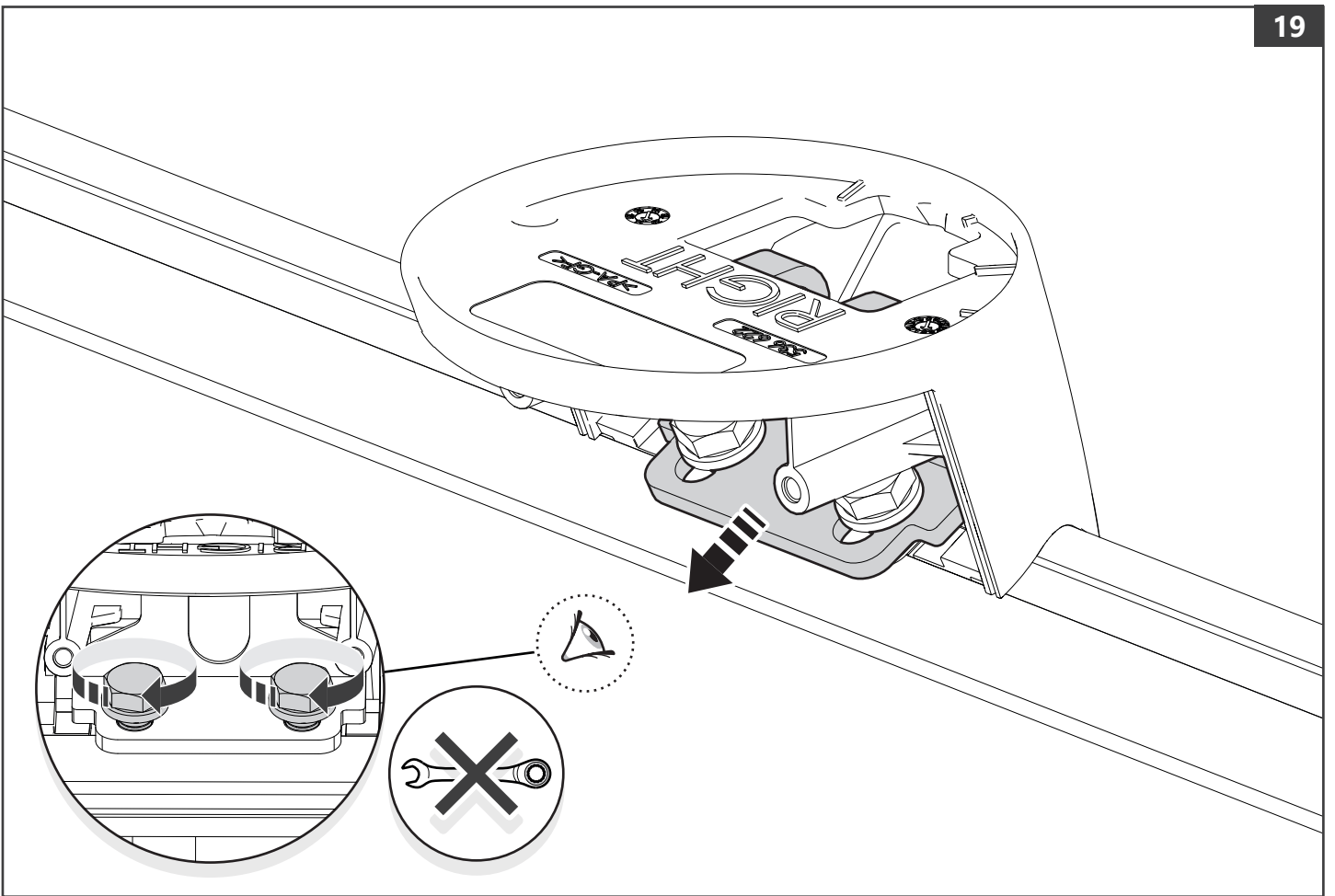
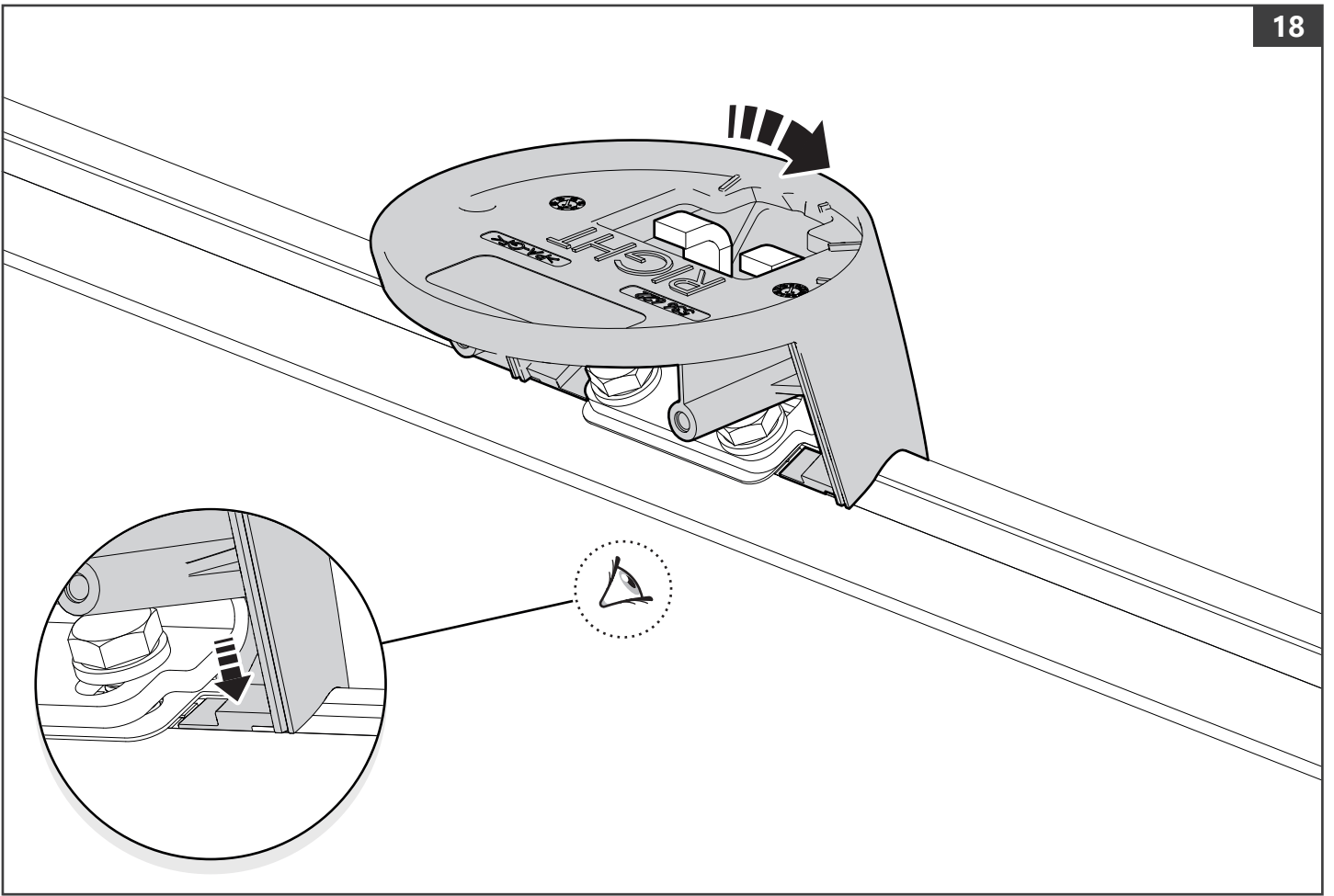


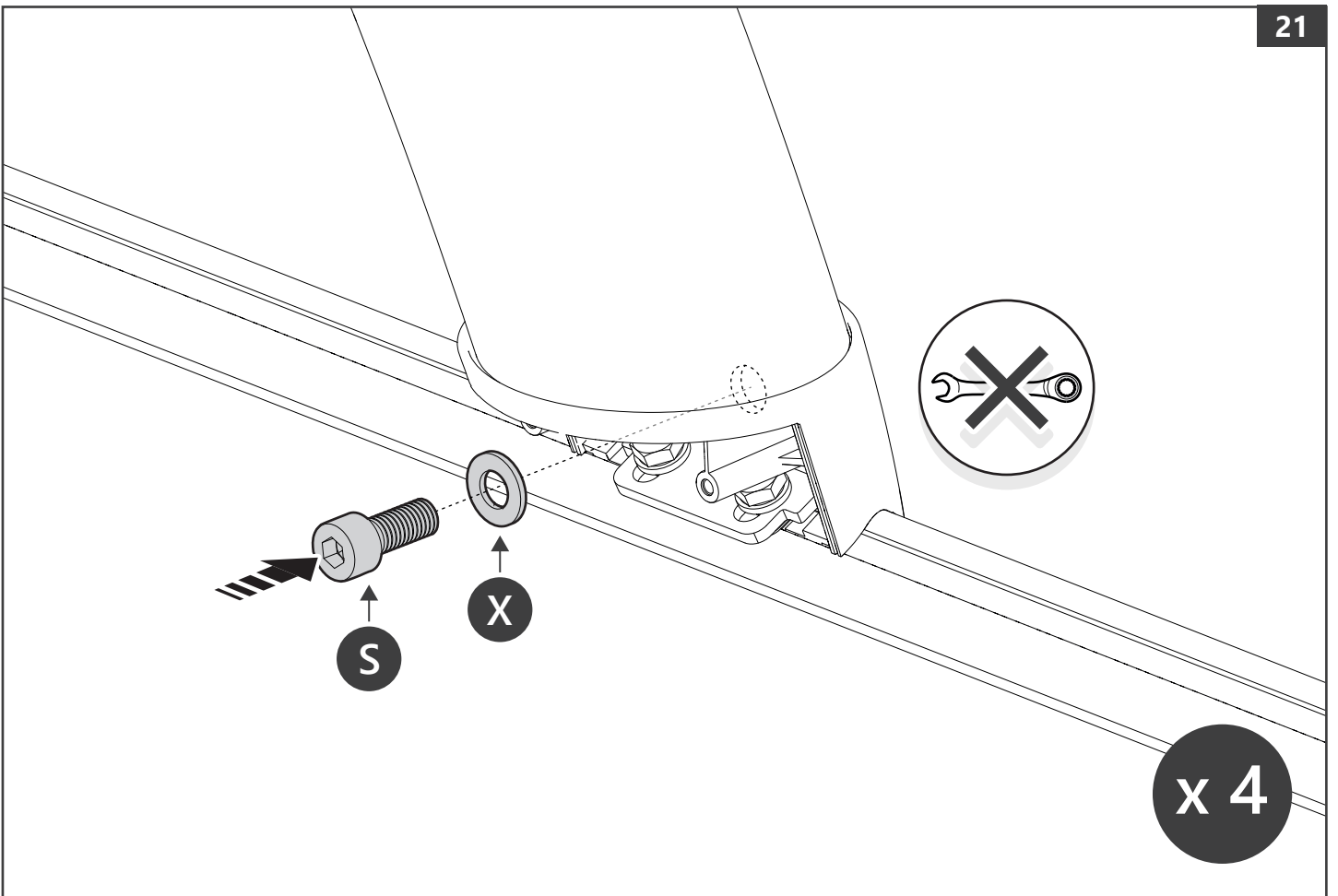
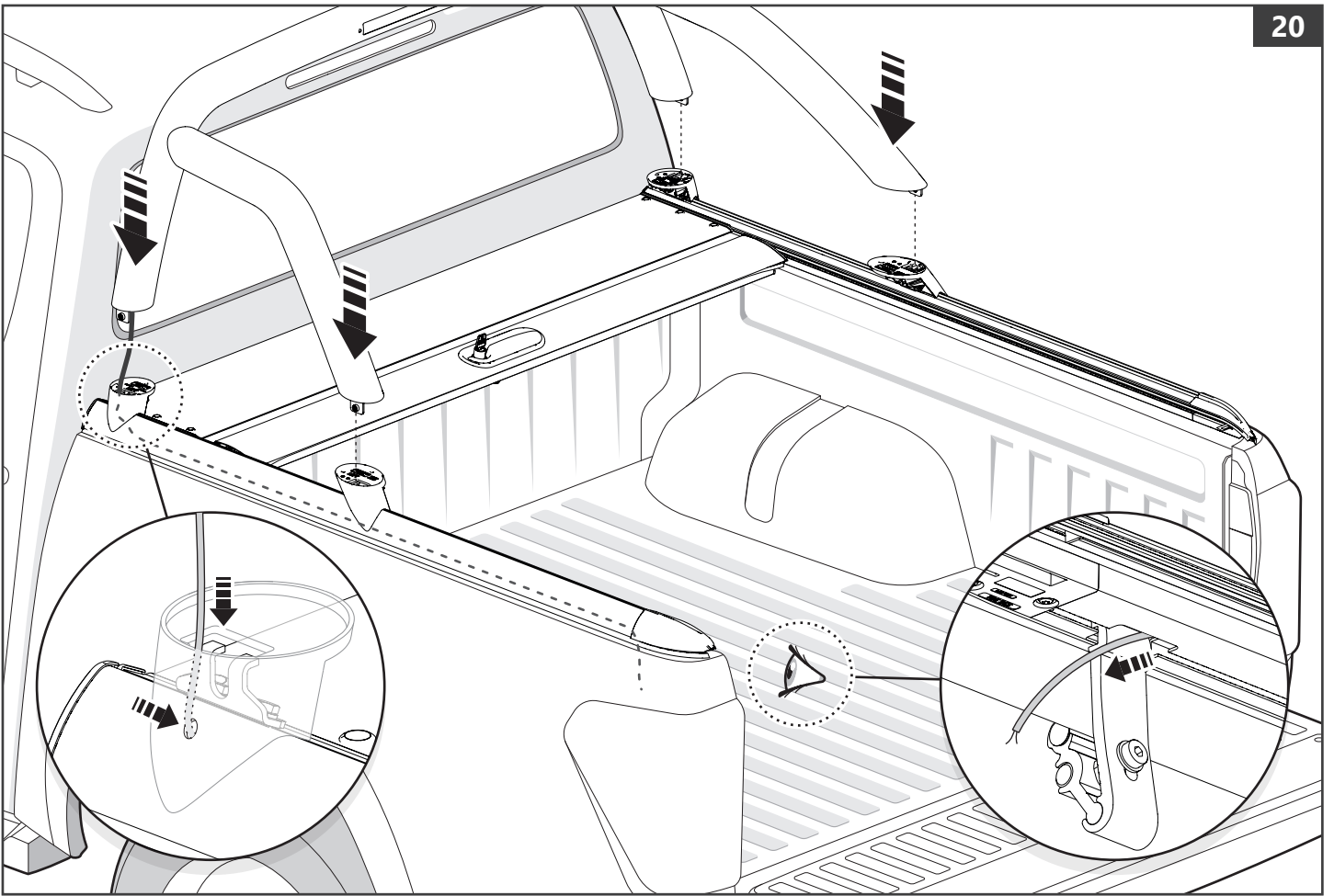


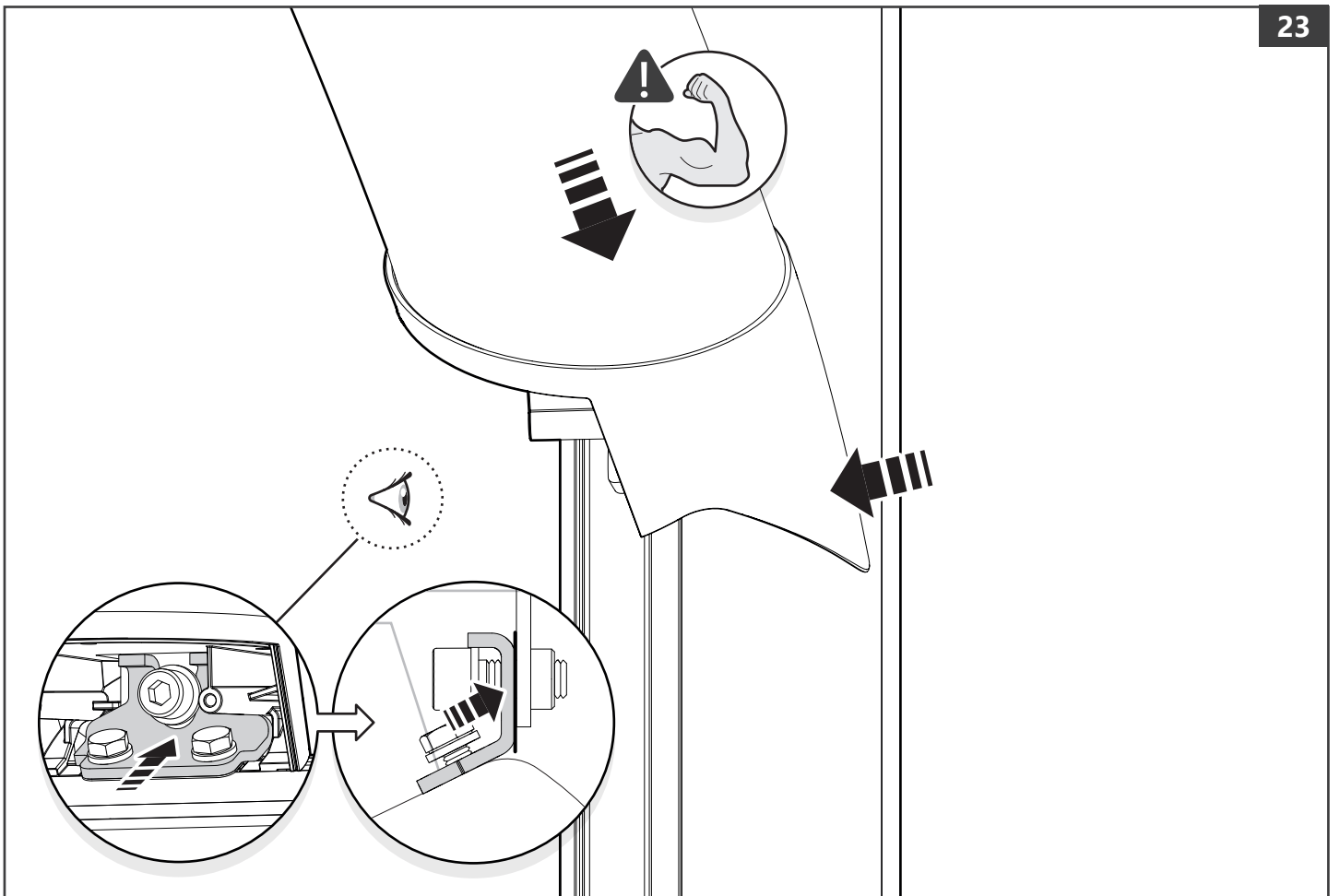
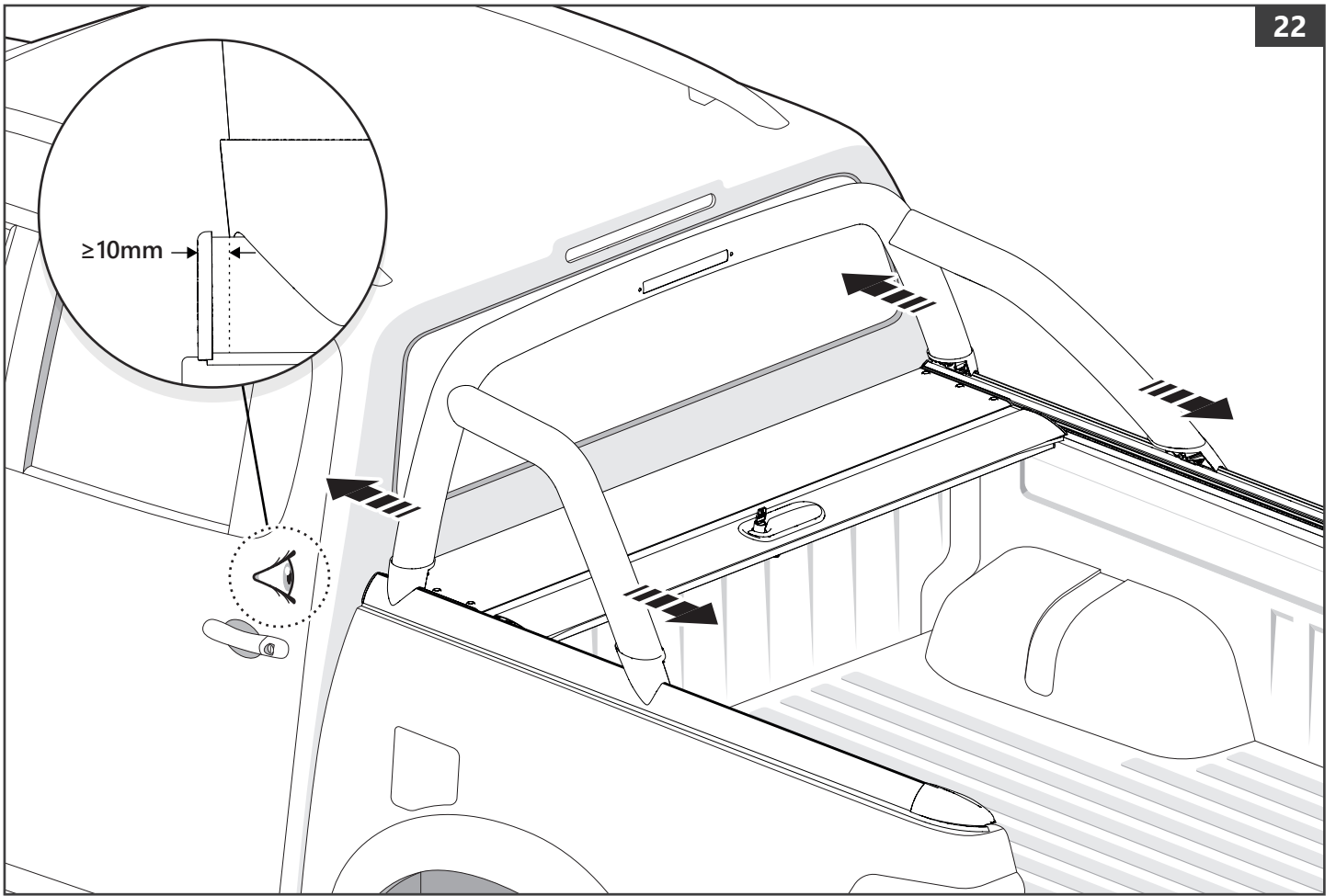


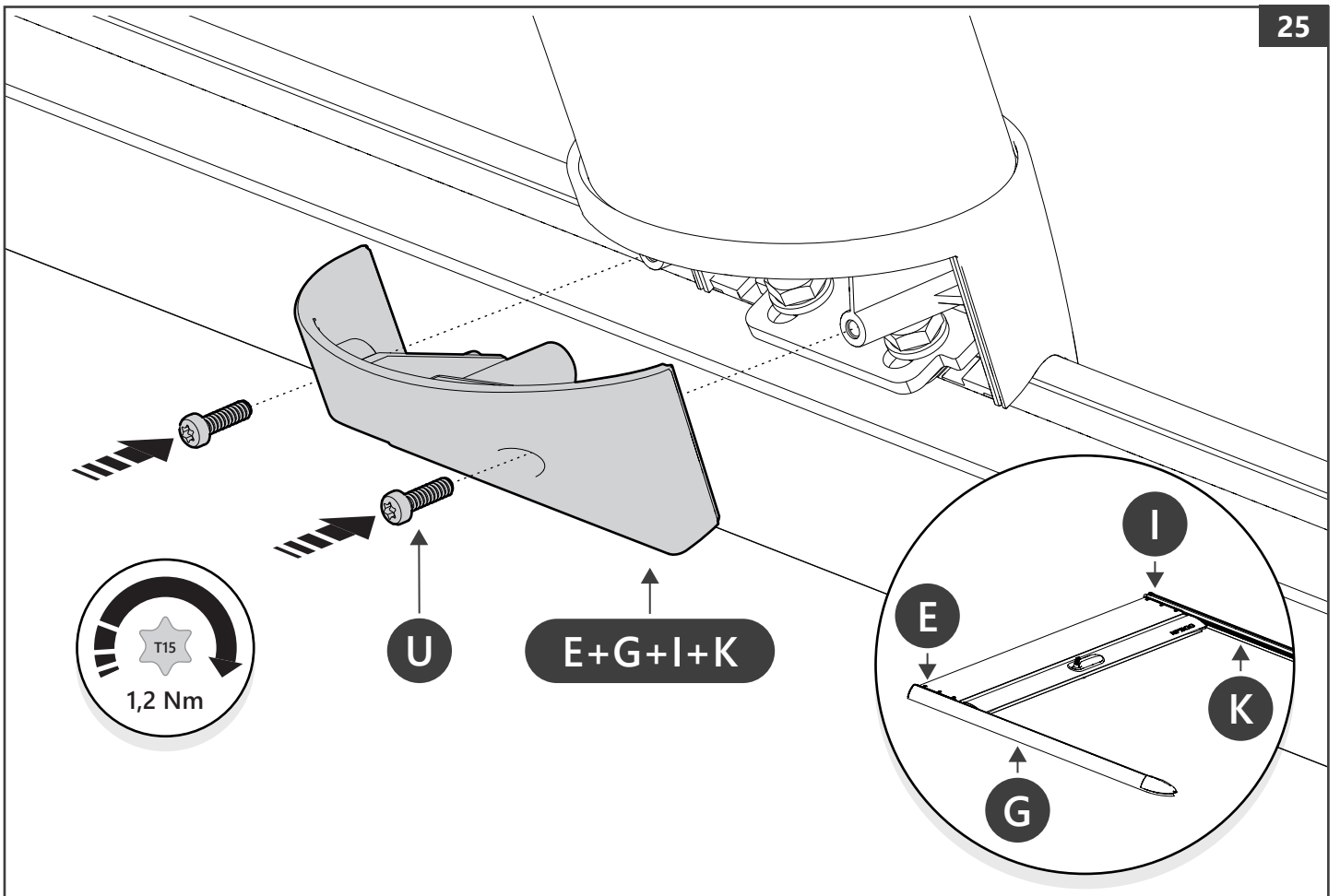
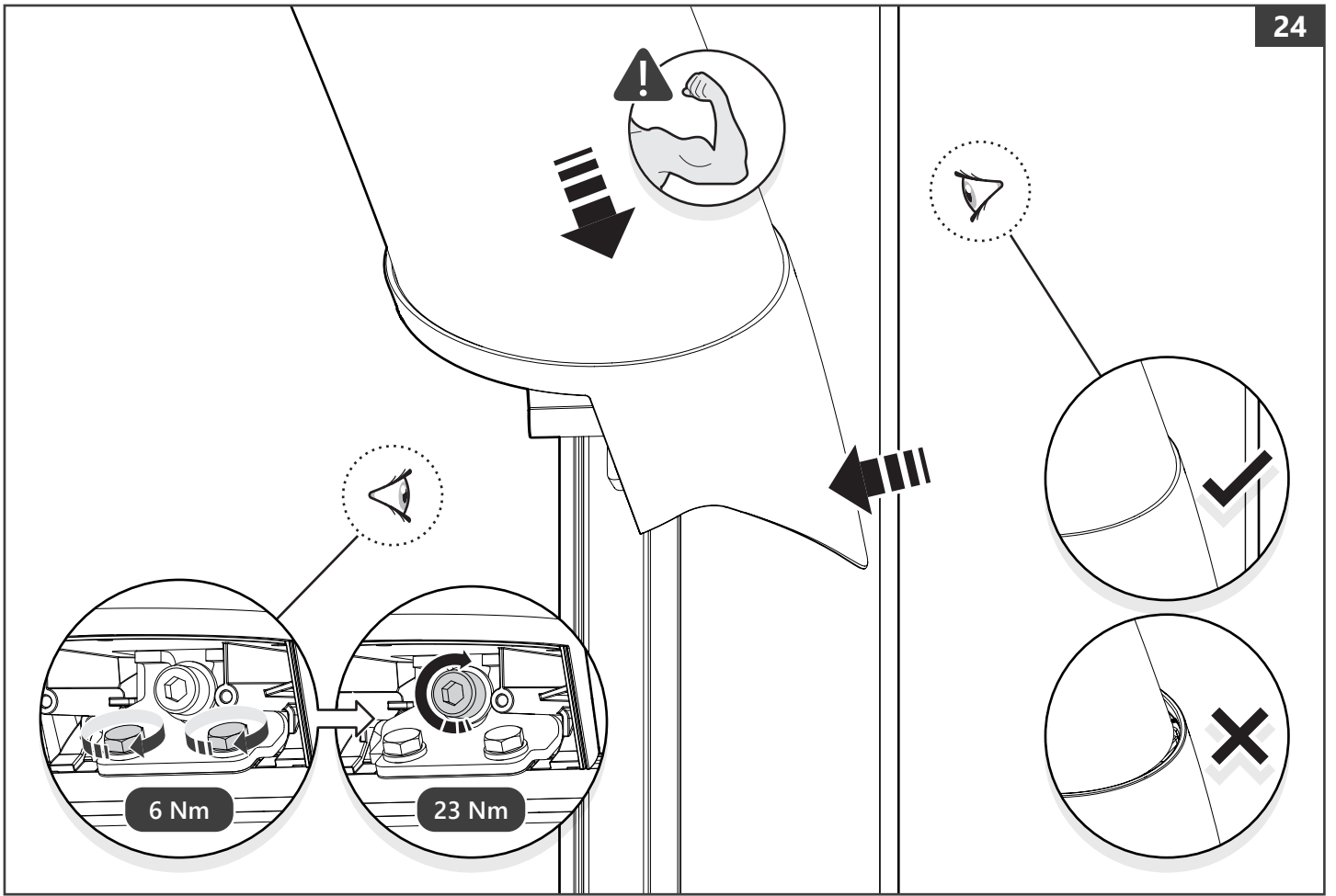


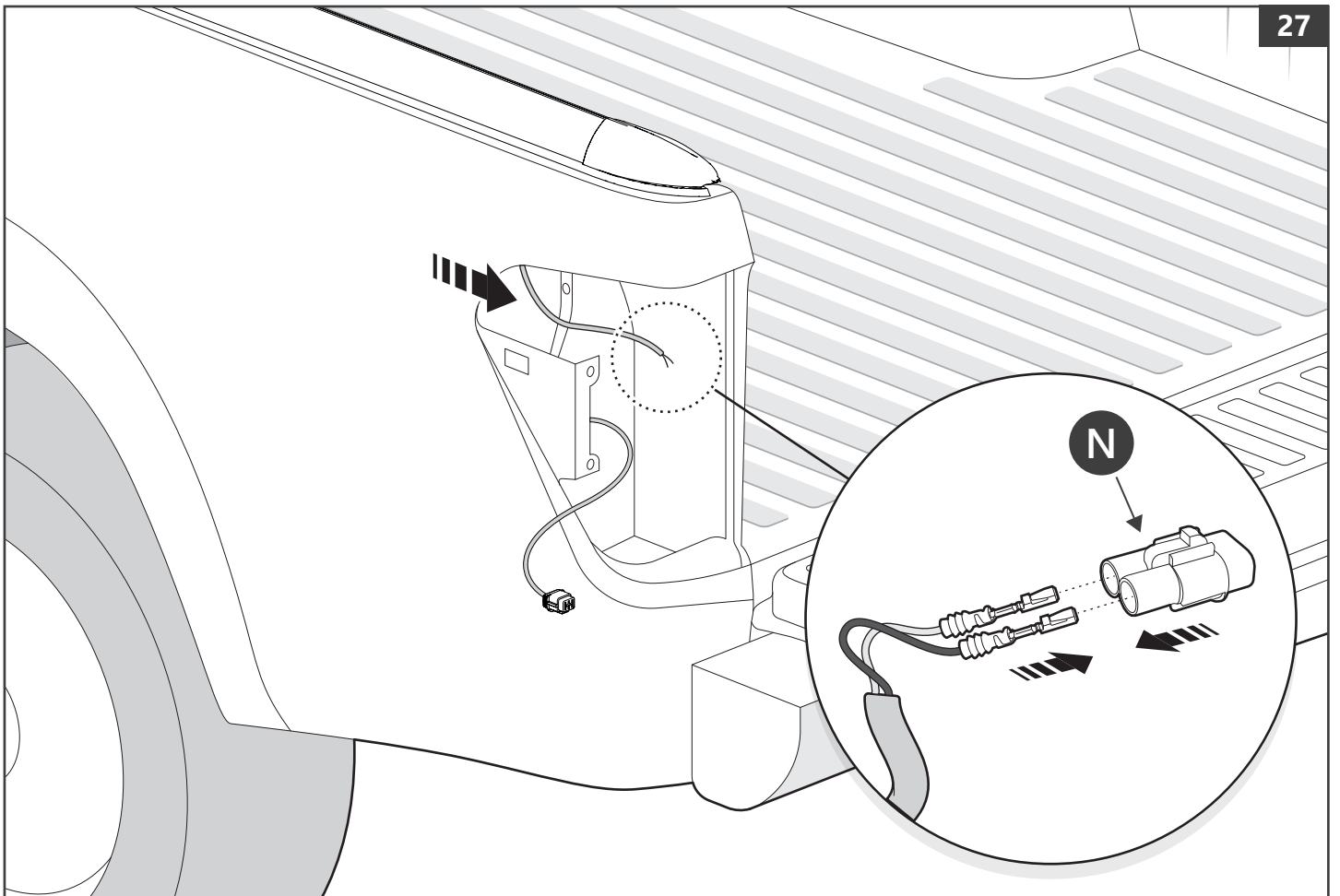
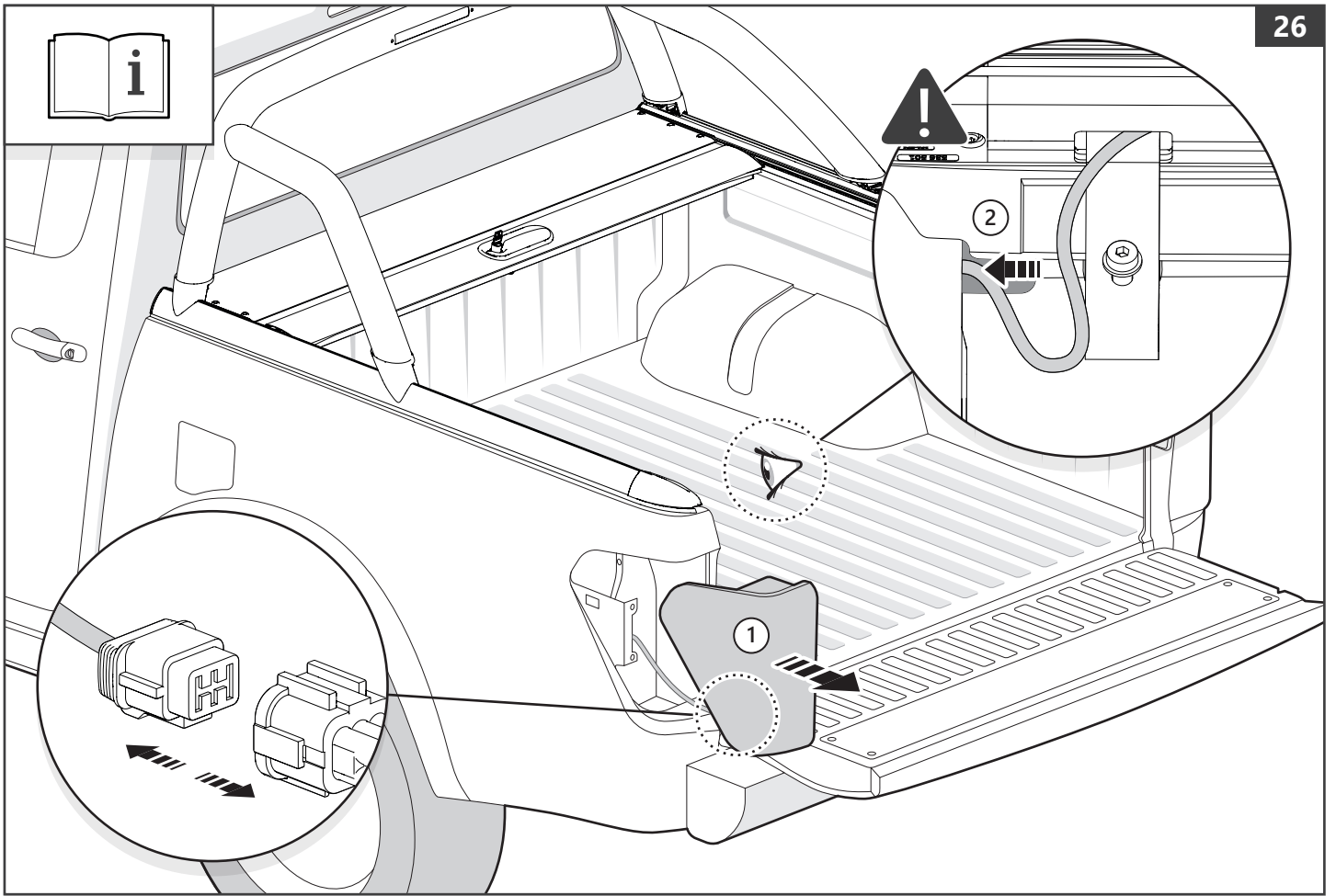


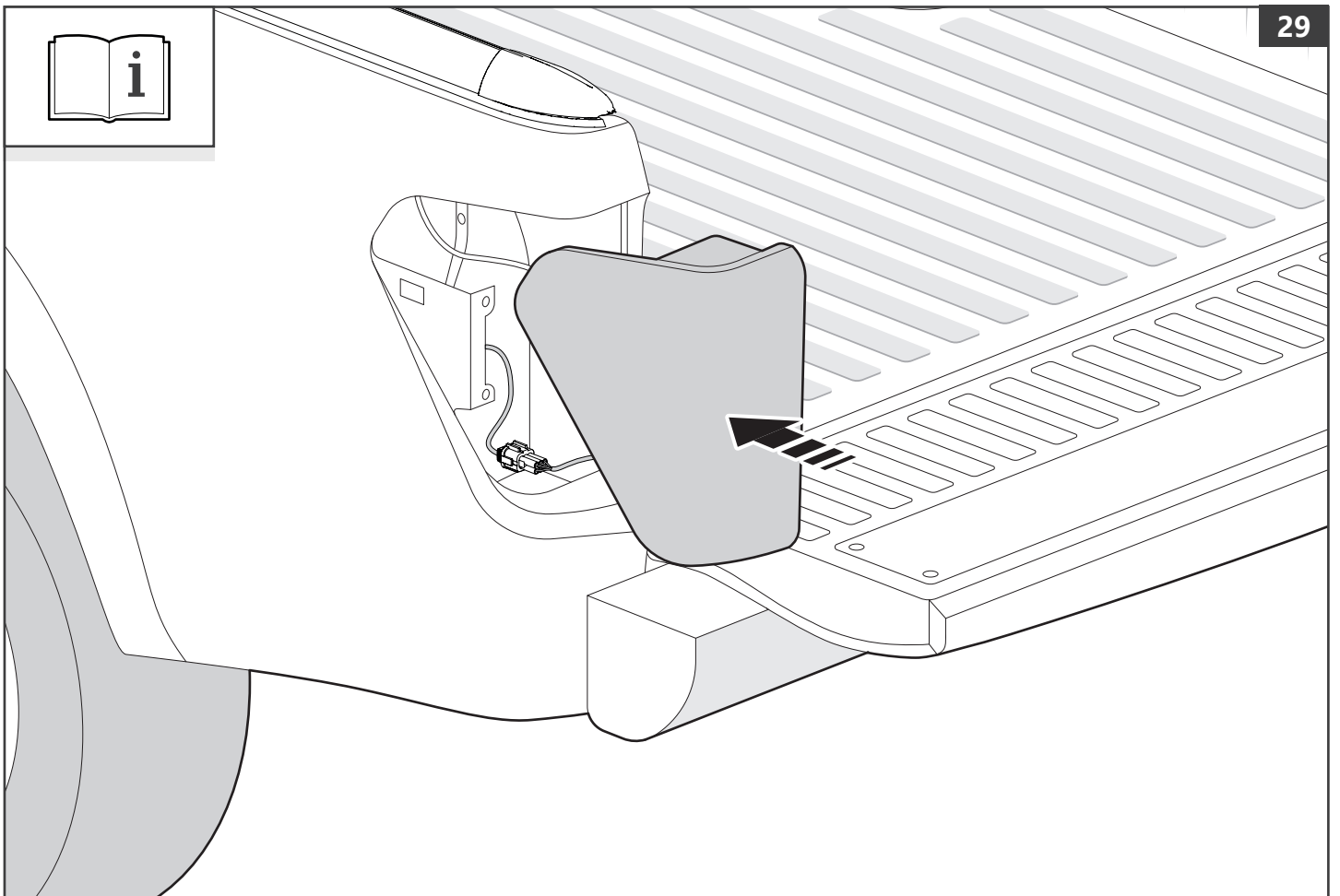
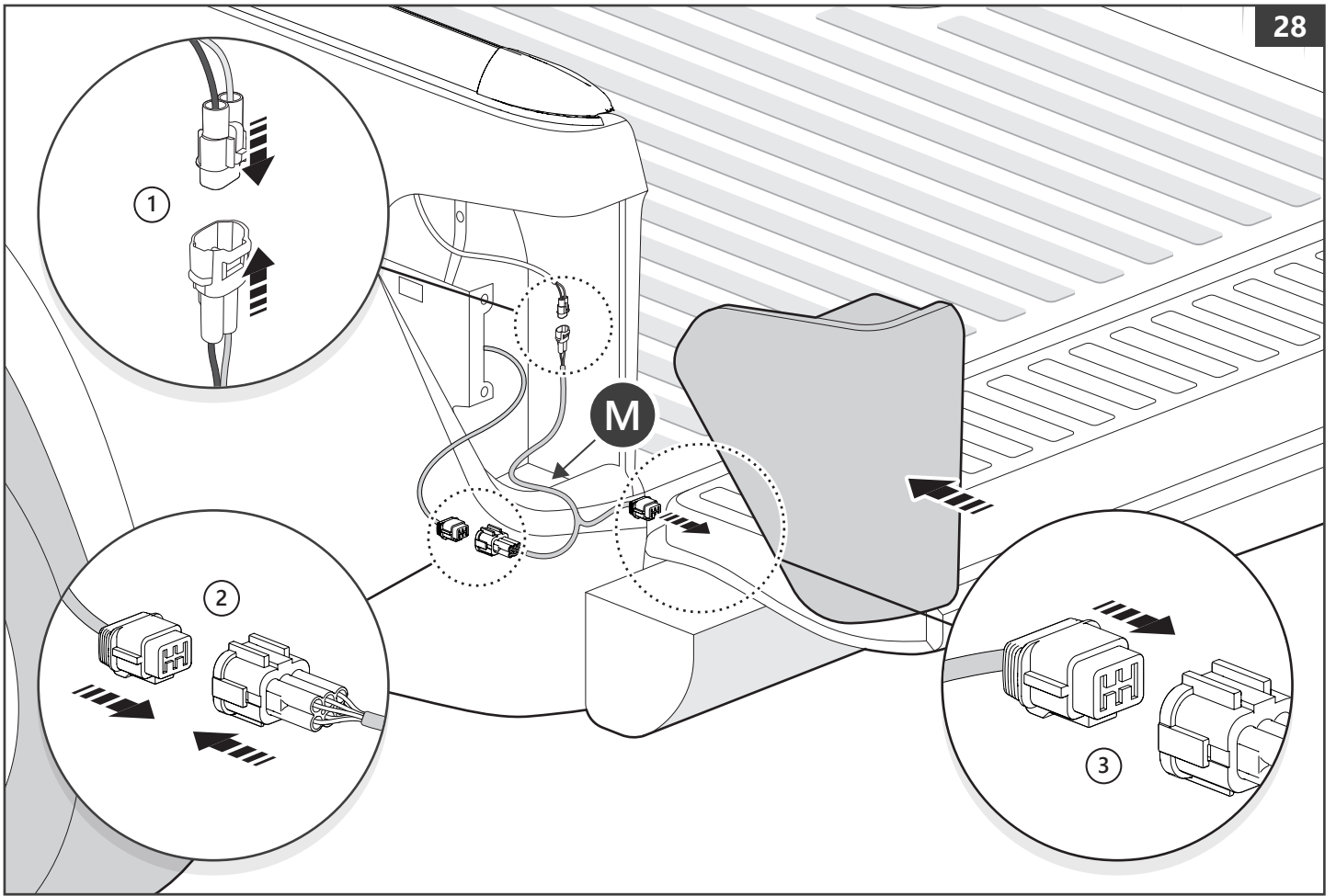


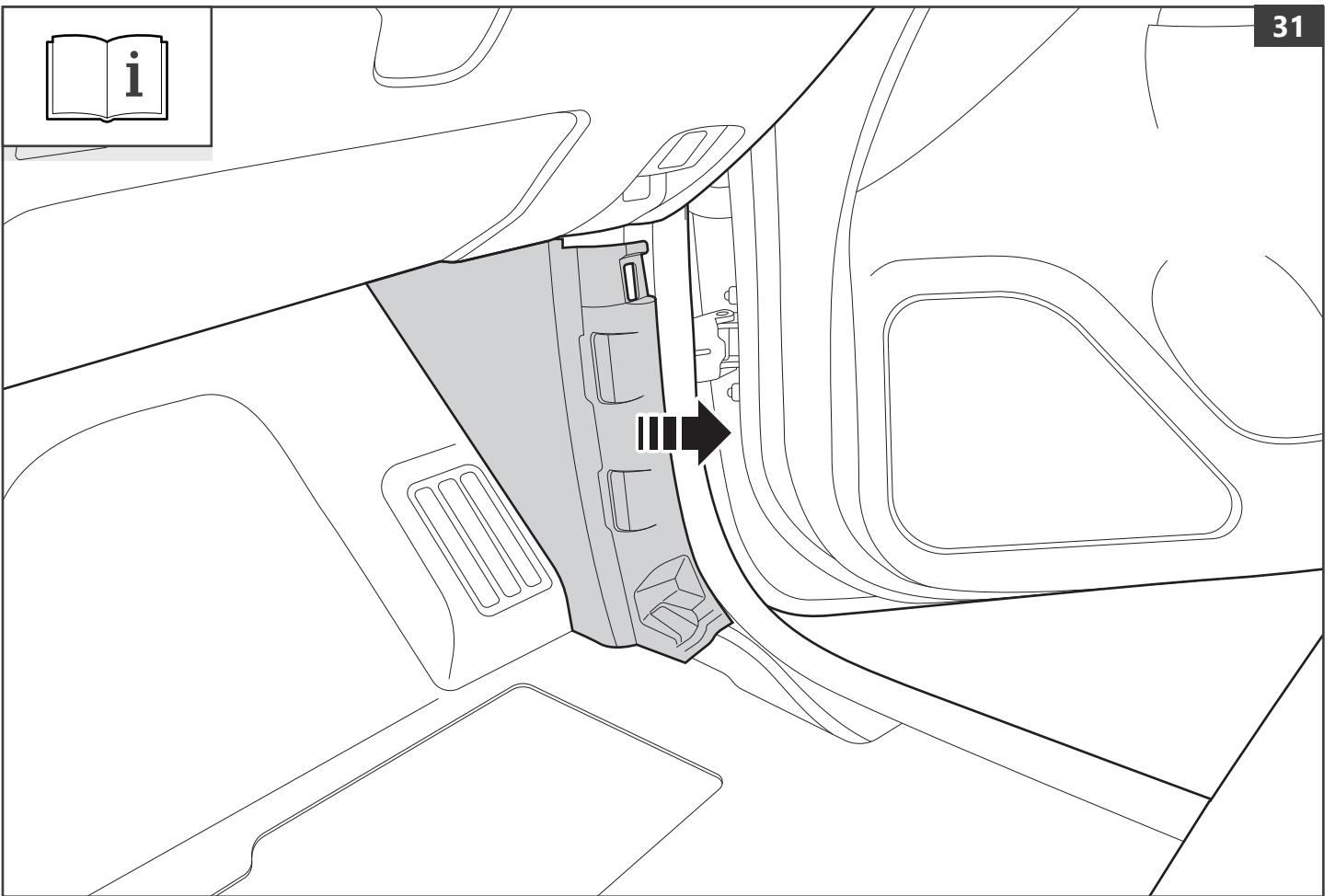
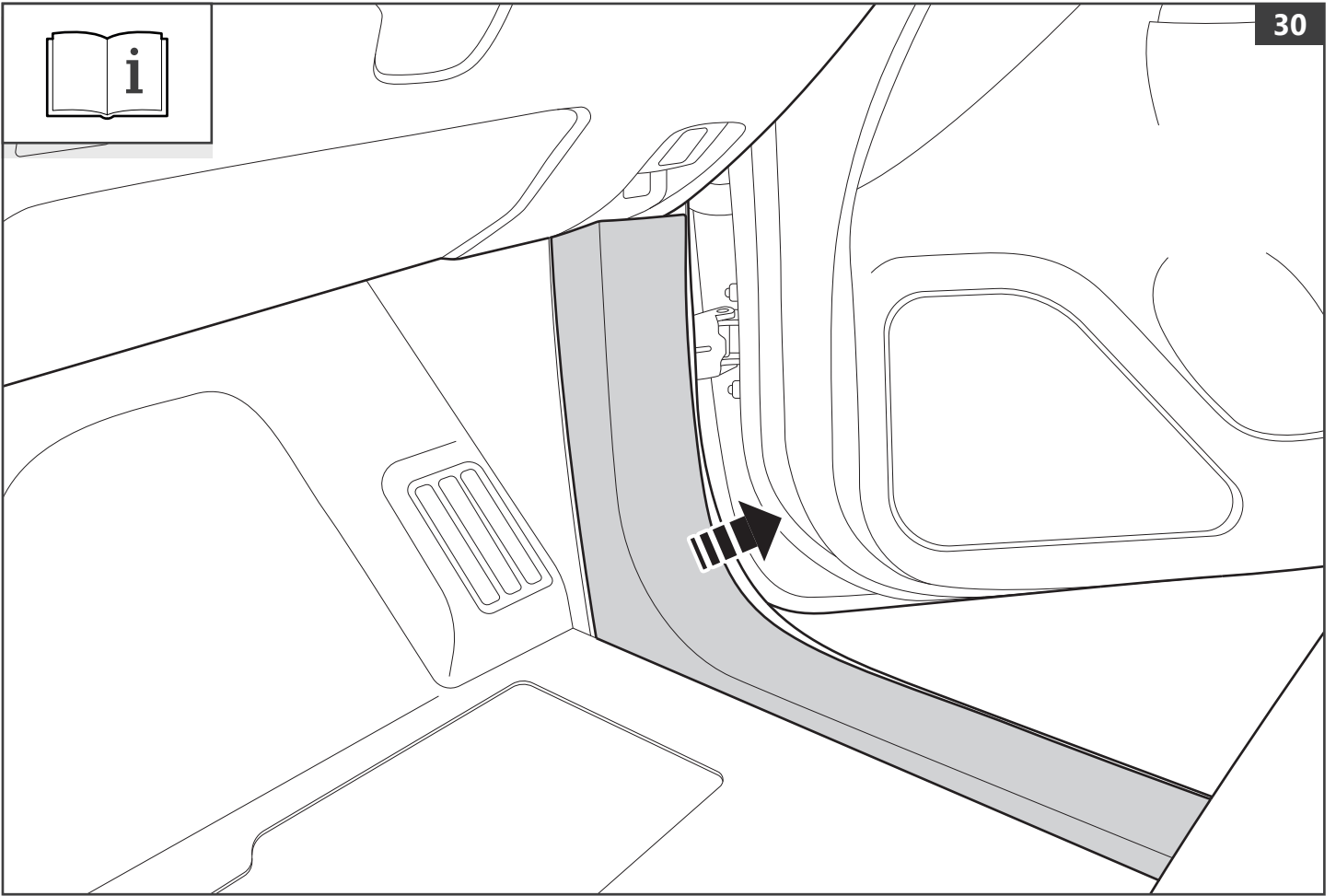
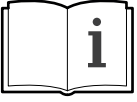




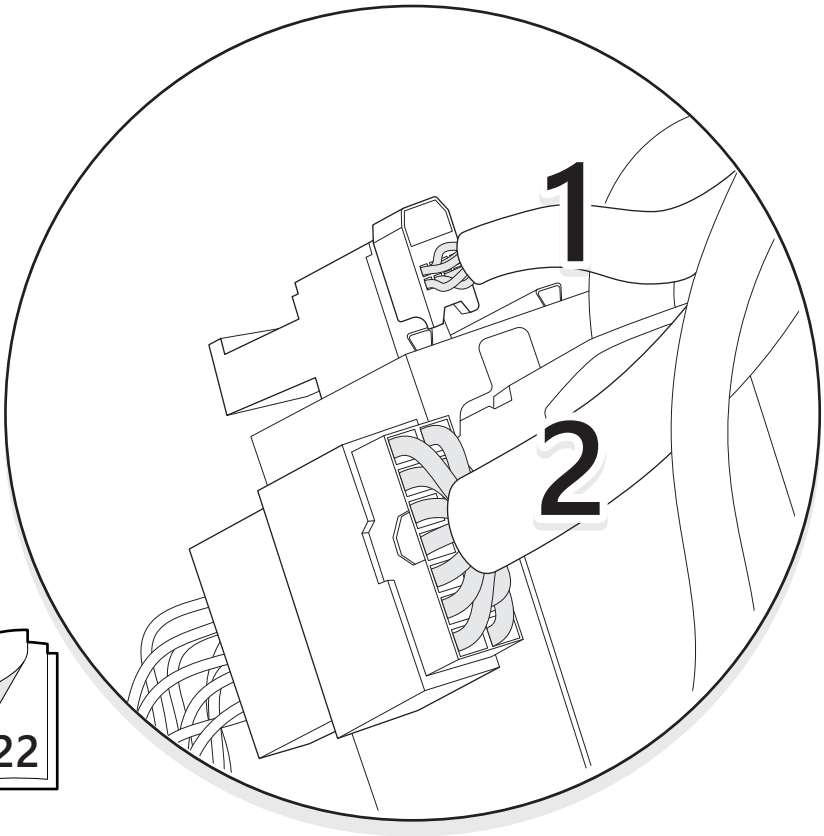
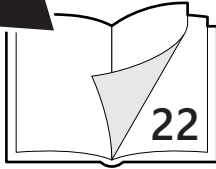




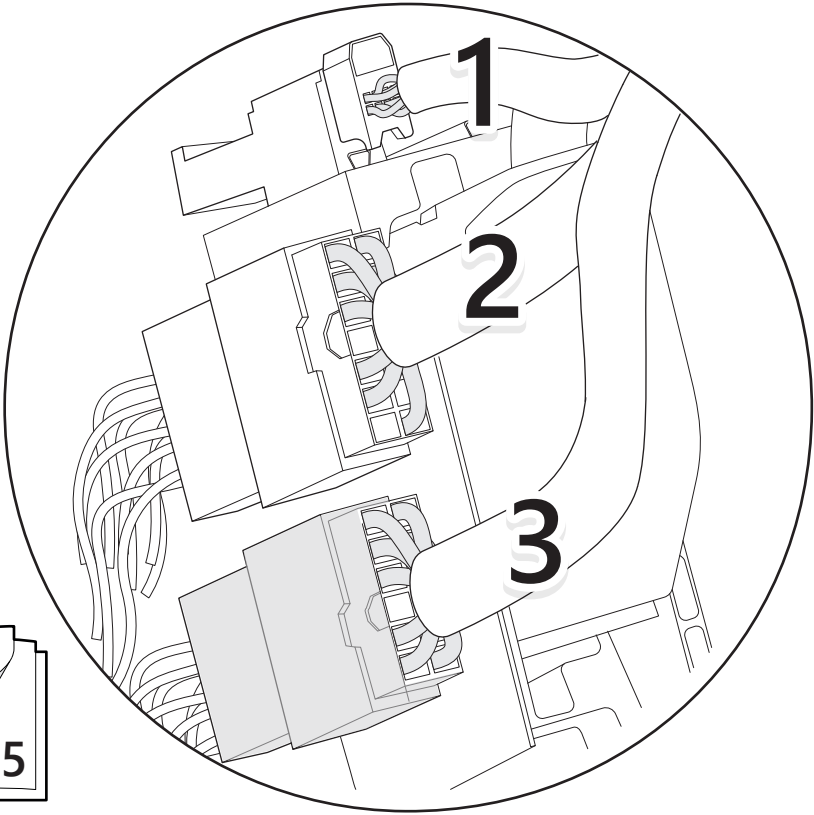
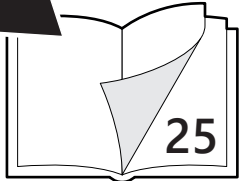




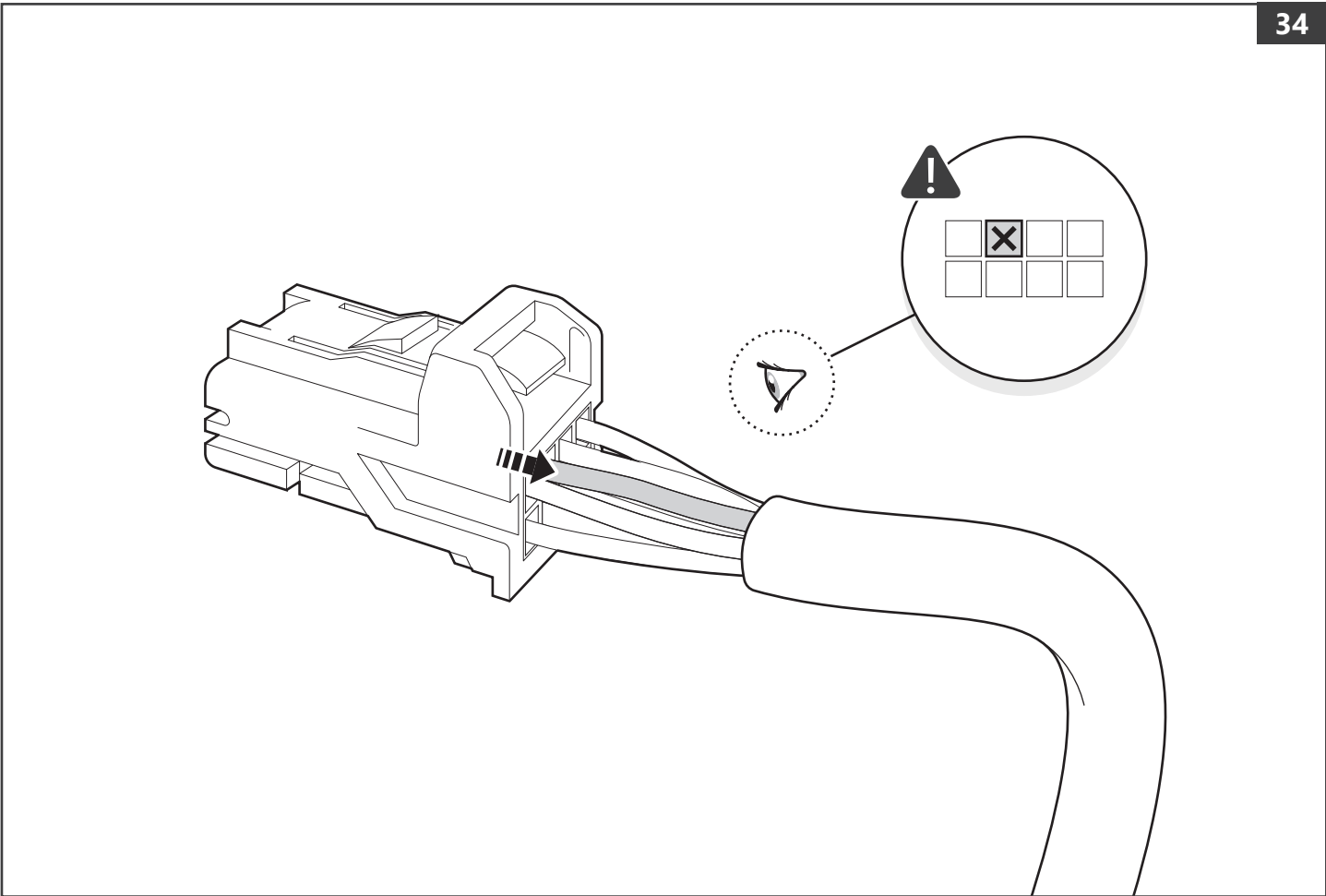
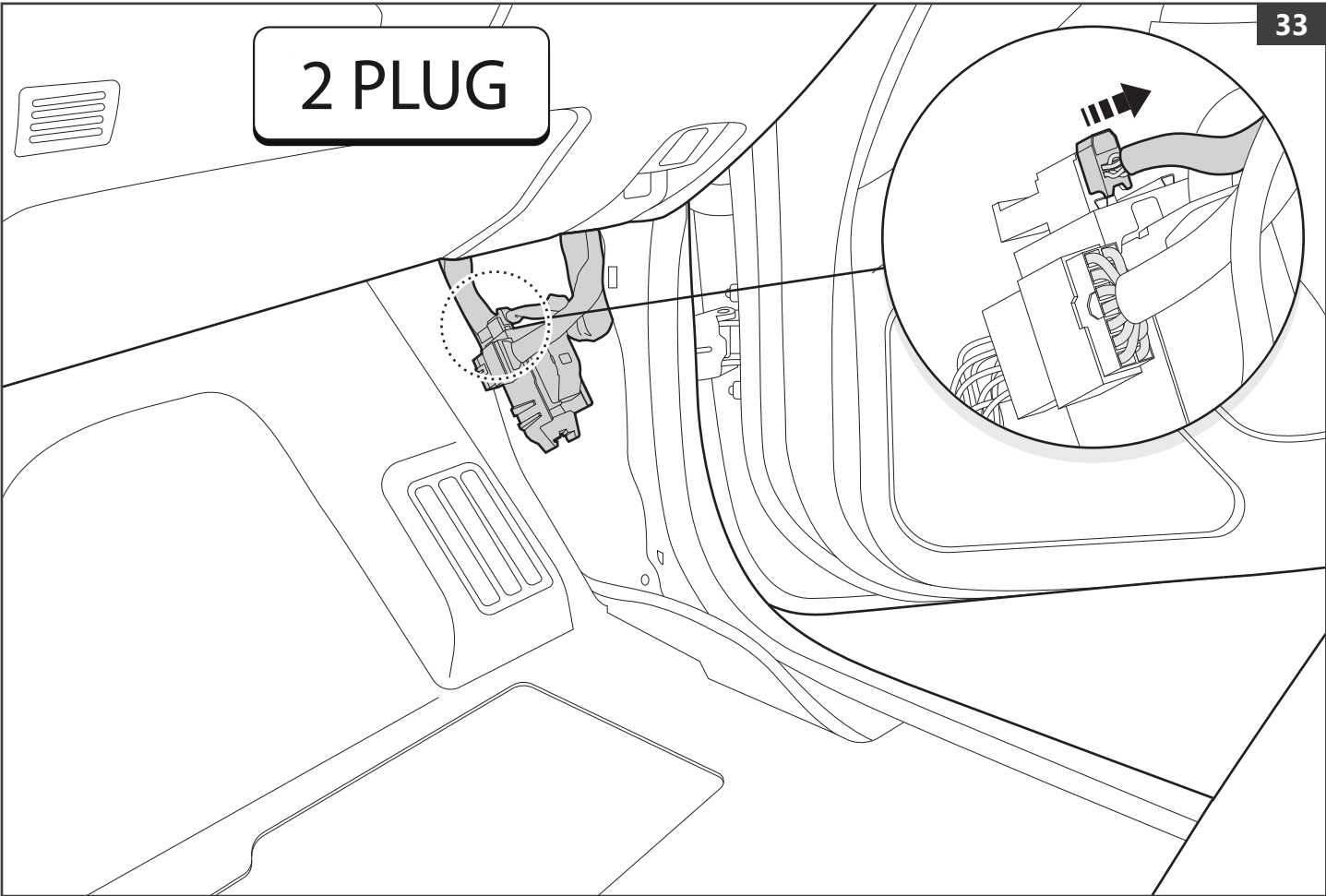
2 PLUG

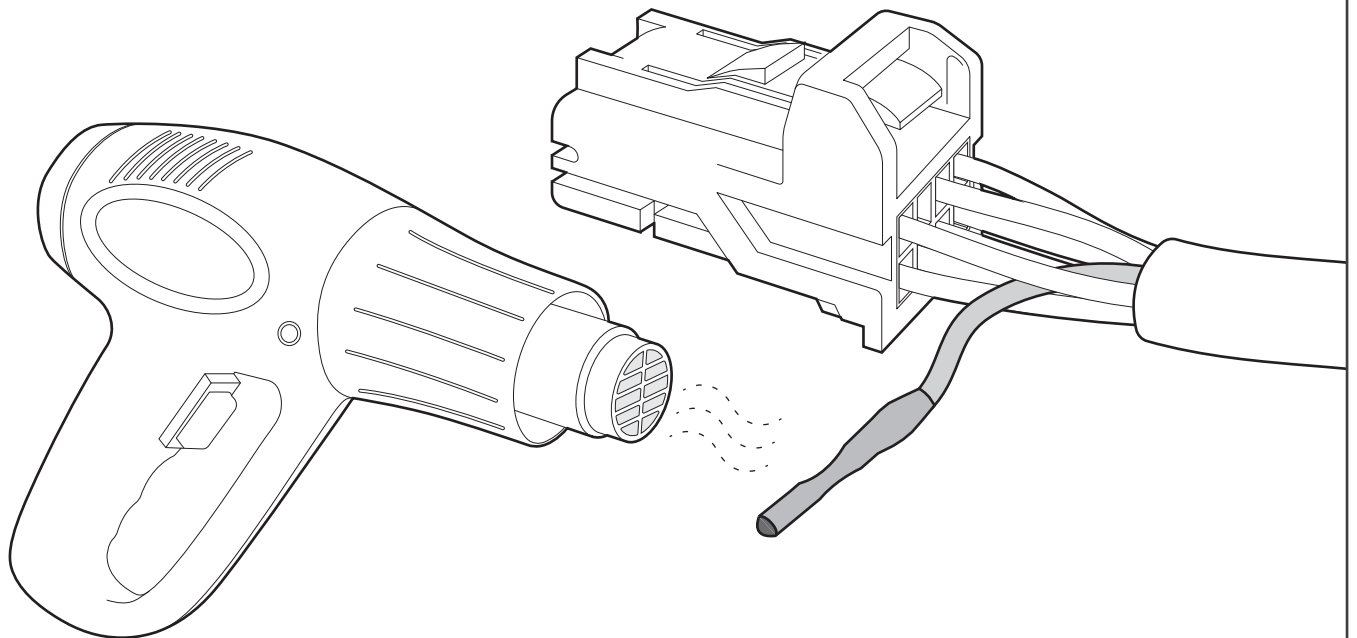
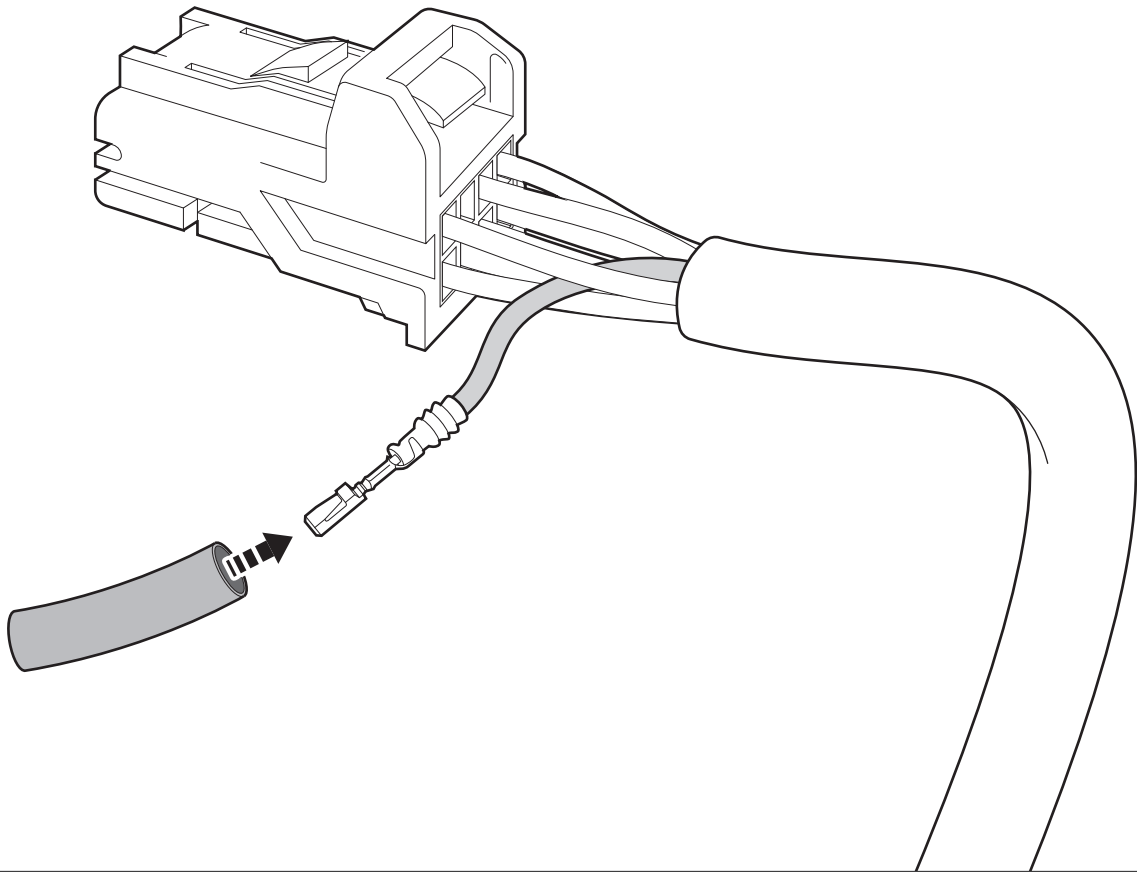


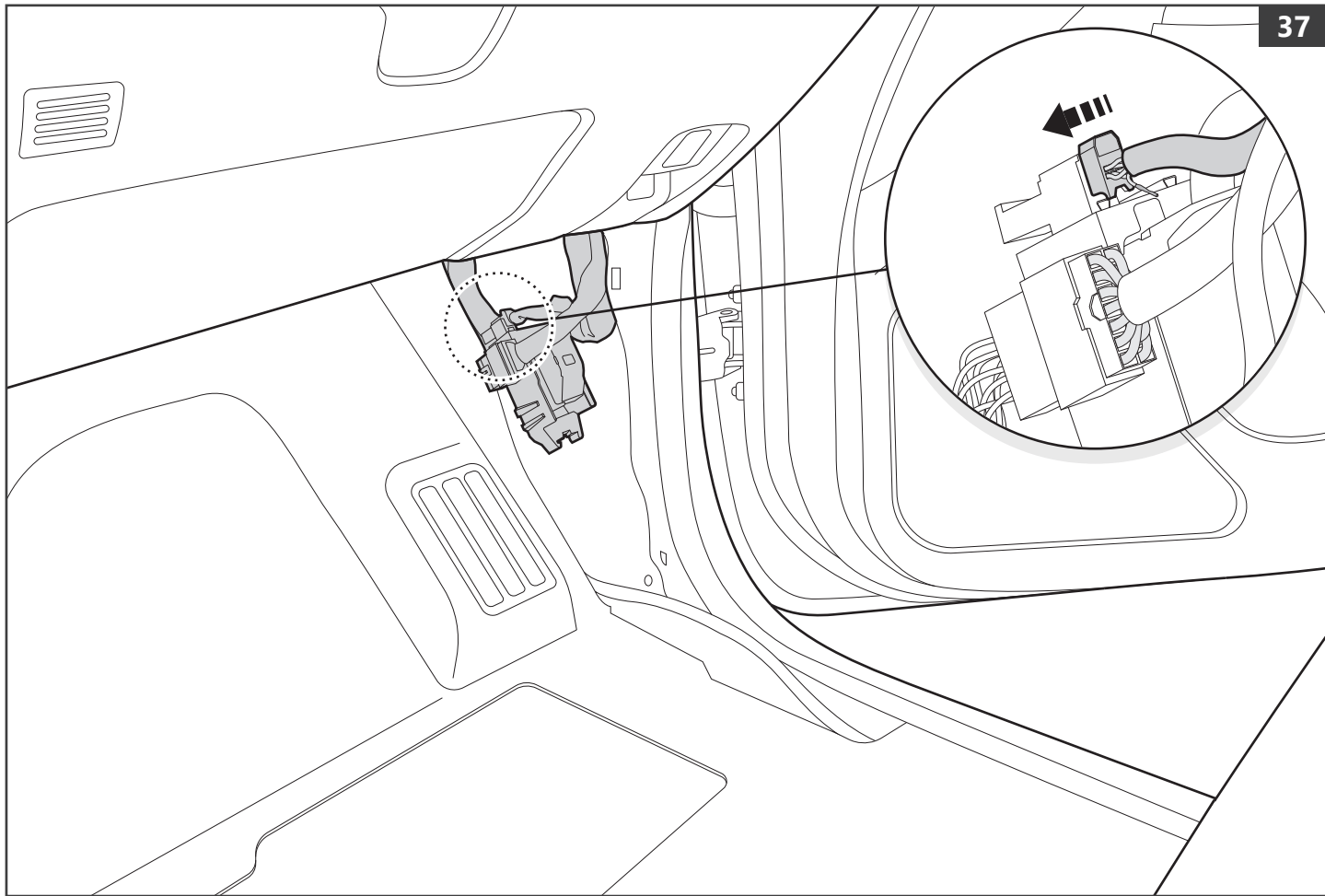
3 PLUG



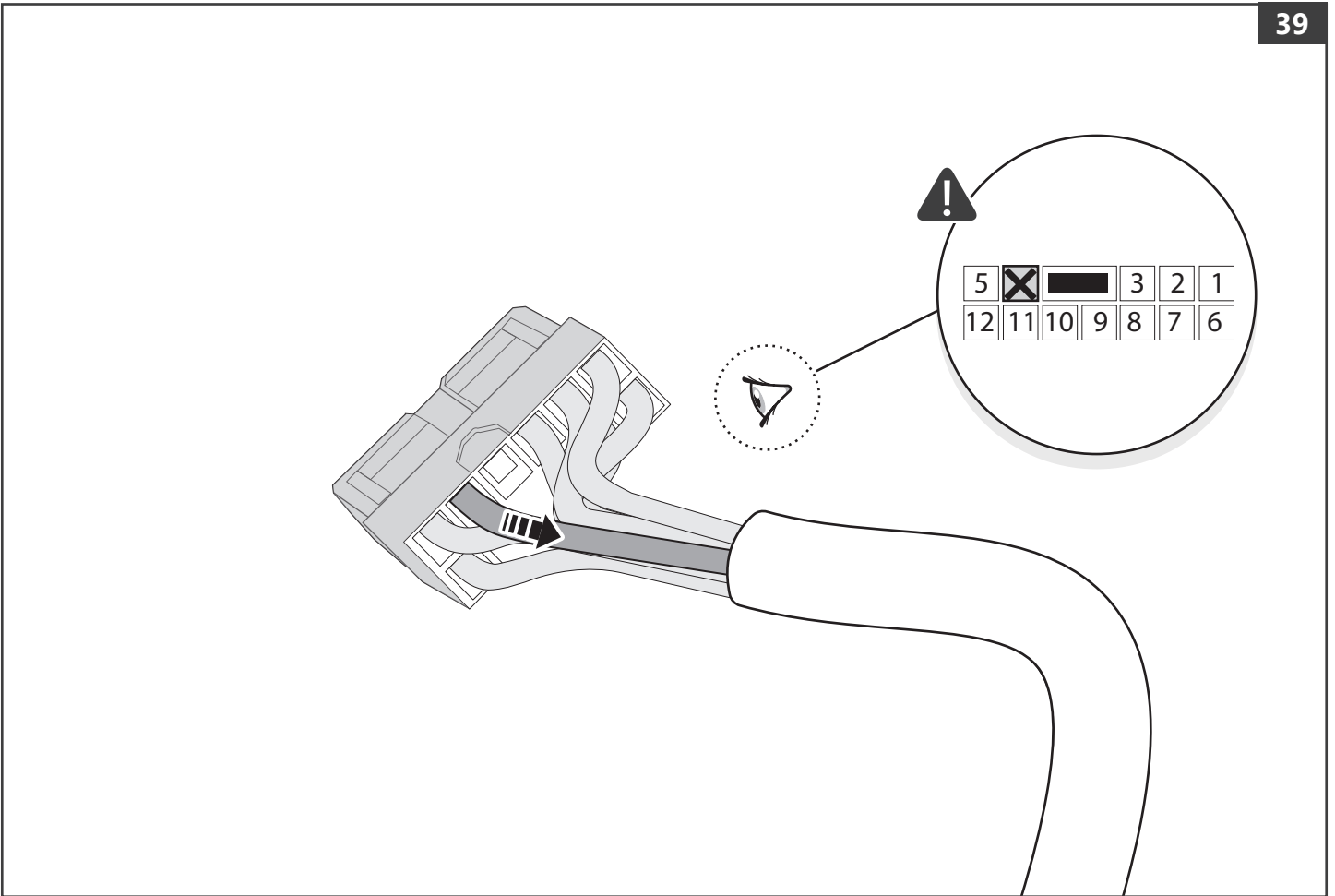
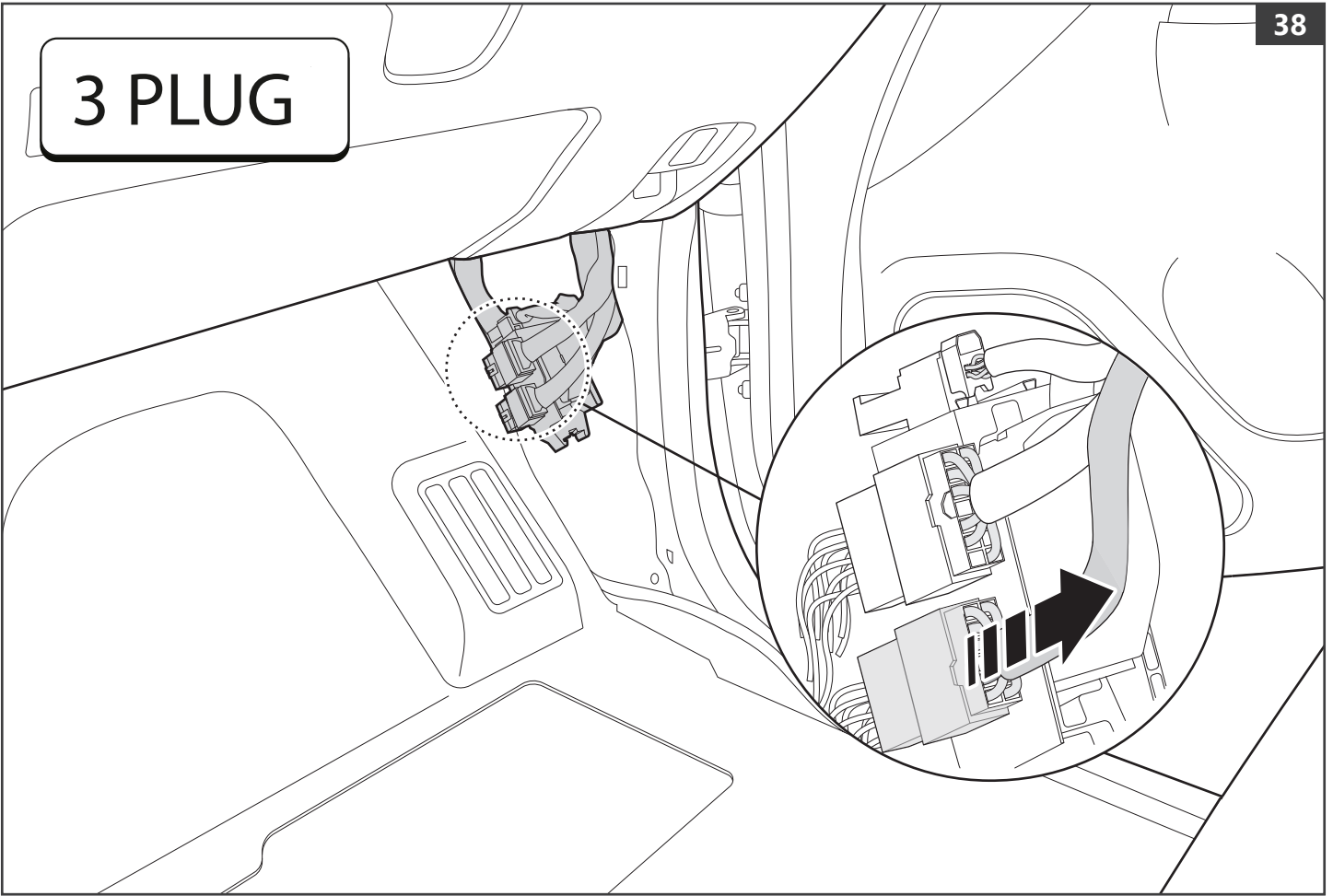
2 PLUG

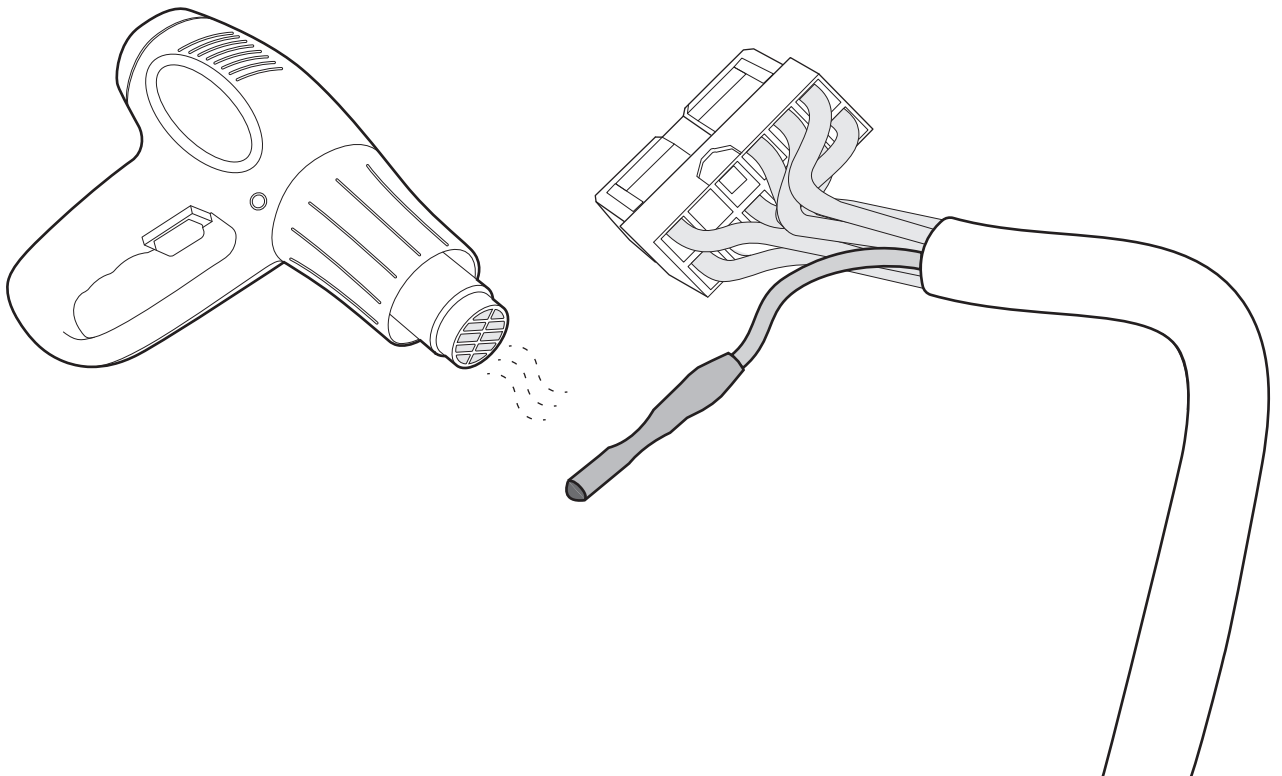
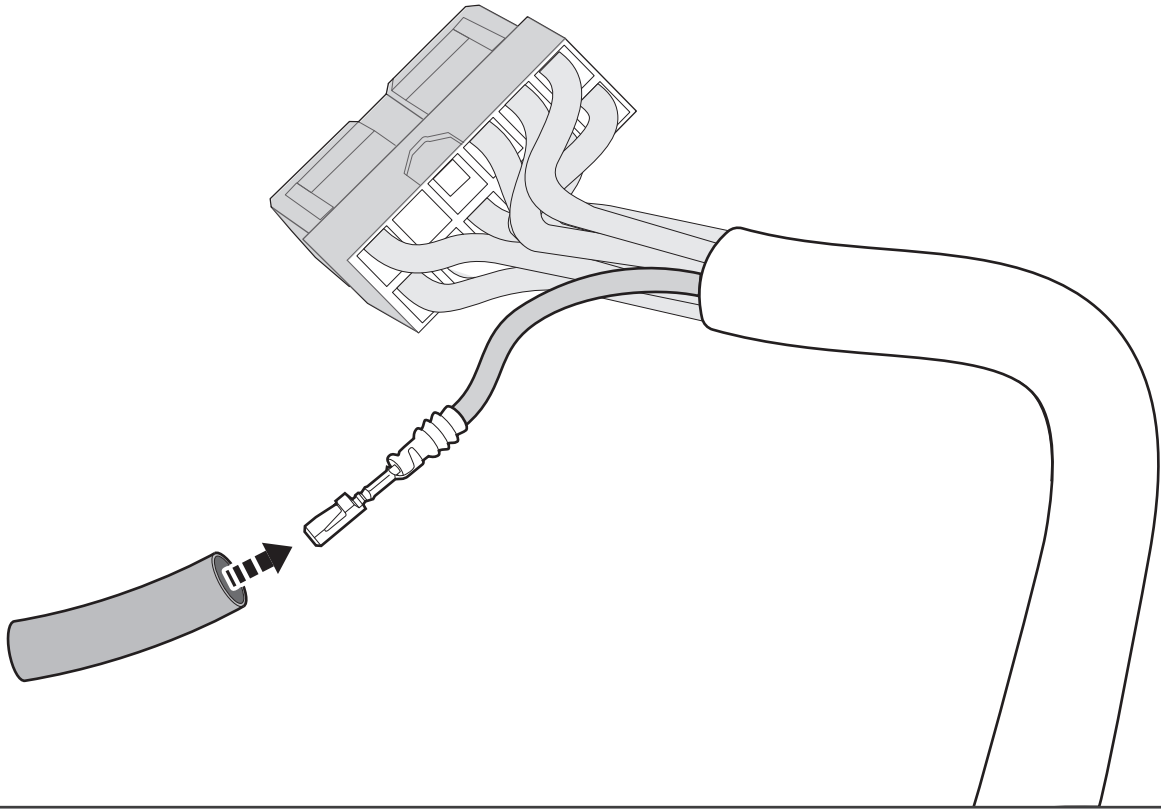


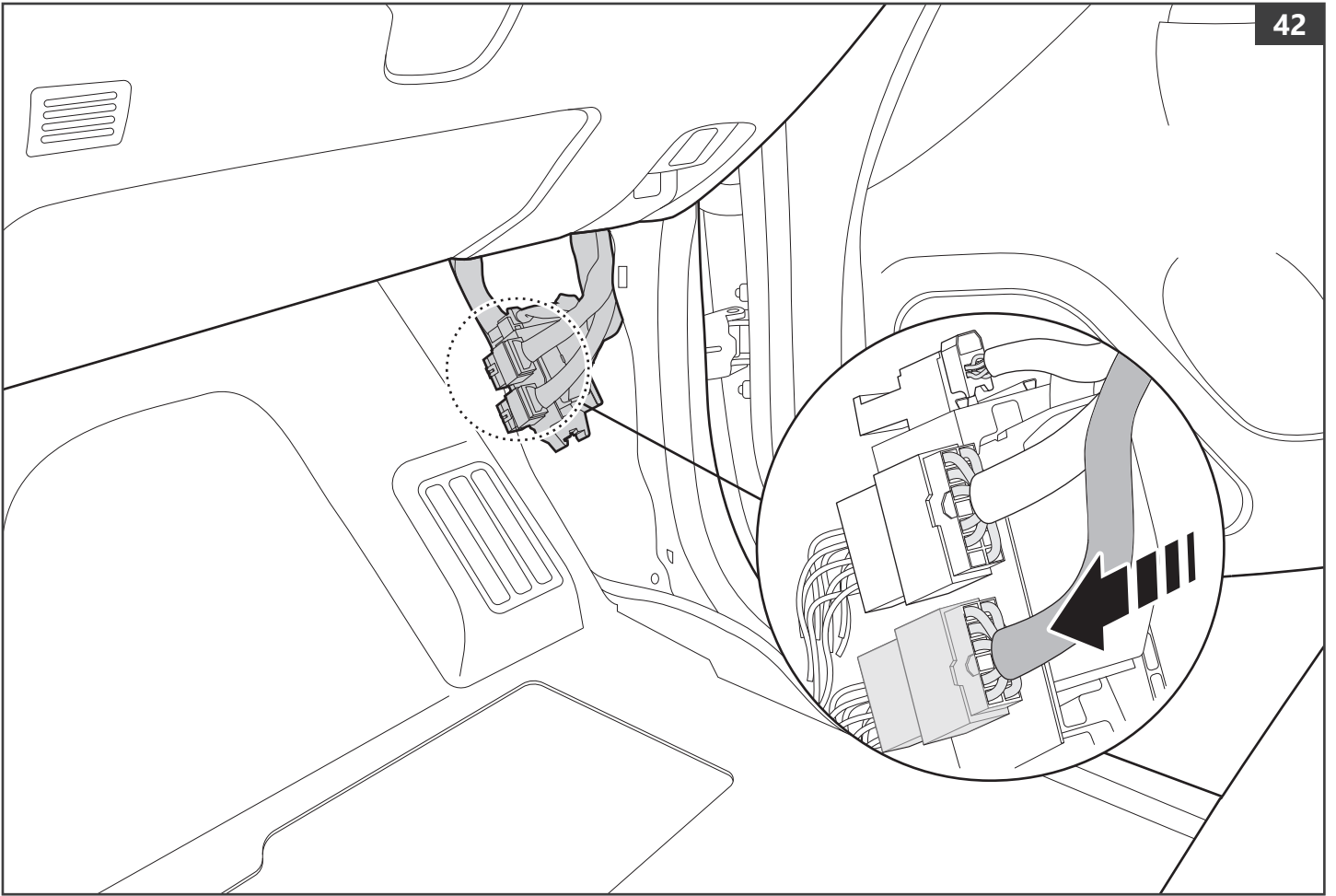


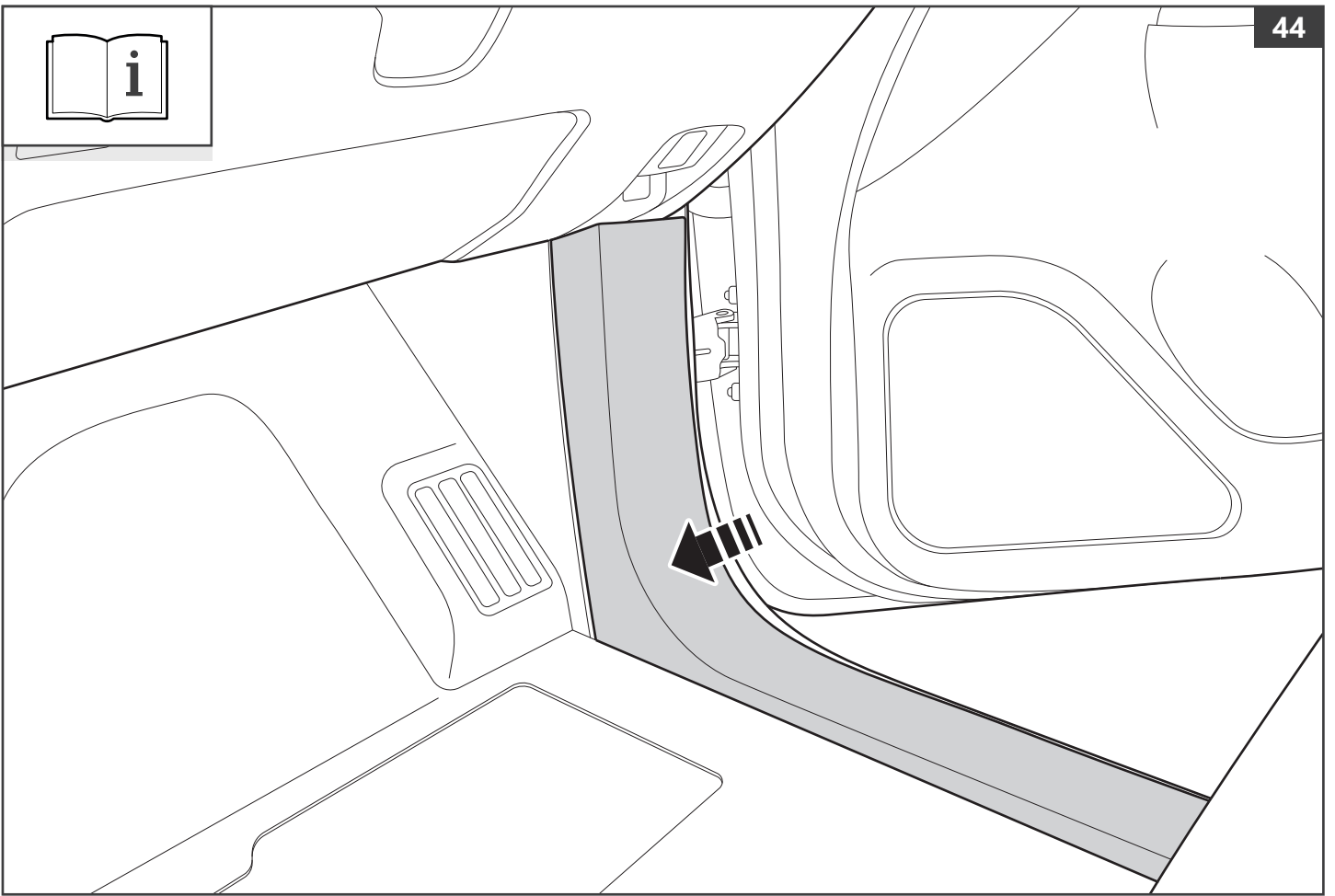
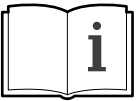
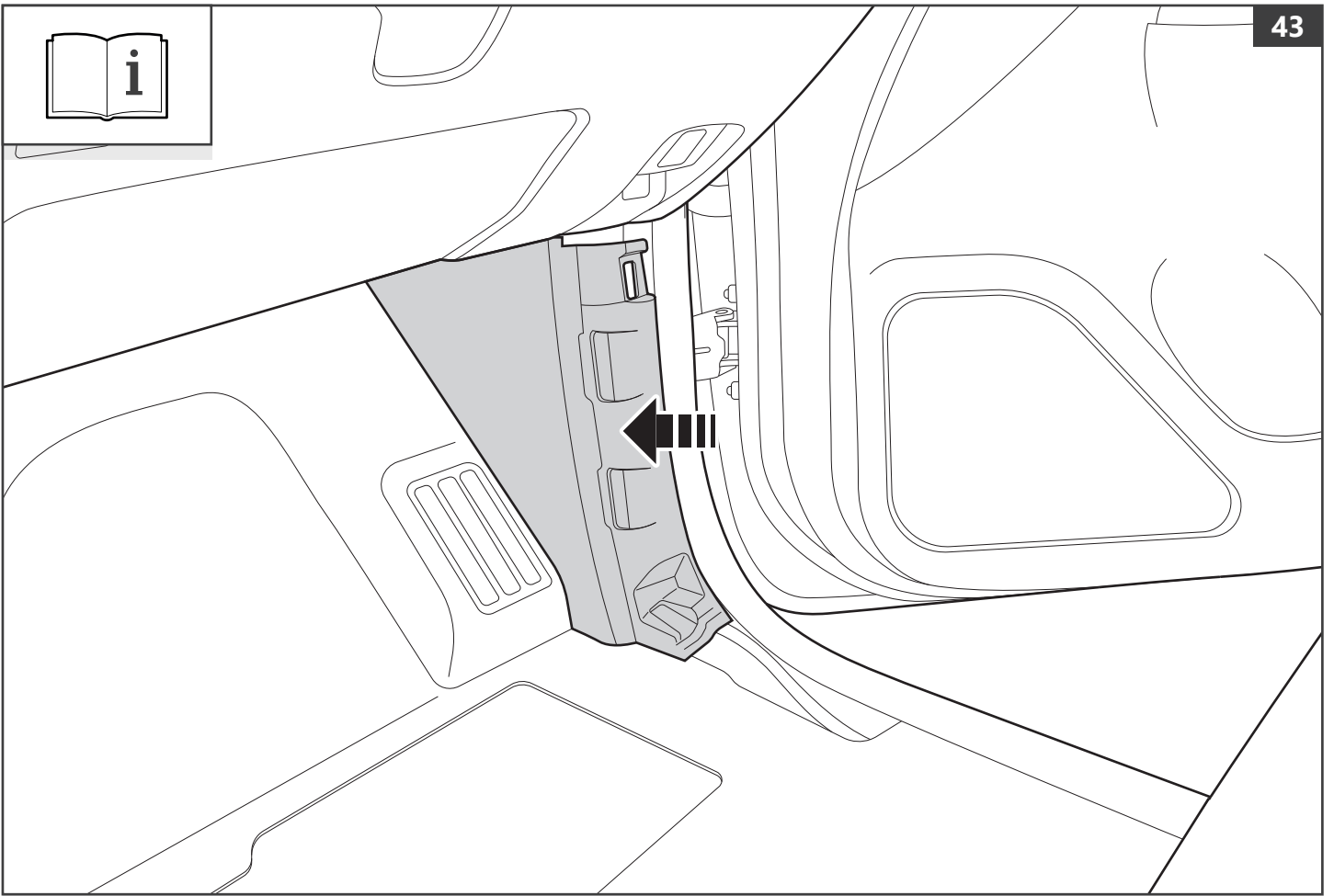
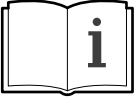


3 PLUG











Customer Service +45 4810 2950 (08:00 - 16:00 CET)
Fax +45 4810 2960
Support info@mountaintop.dk
Website www.mountaintop.dk
Address Pedersholmparken 10, 3600 Frederikssund, Denmark

PART NUMBER(S)	MODEL / YEAR	CAB TYPE(S)	INSTALLATION TIME	WEIGHT
SB NI90/91	Nissan / 2015 →	Double / King	2 hour(s)	10 Kg
SB RE90/91	Renault / 2017 →	Double / King	2 hour(s)	10 Kg

GB Installation manual	S Monteringsanvisning	D Einbauanleitung
SF Asennusohje	E Instrucciones de montaje	CZ Návod k instalaci
F Notice de montage	H Szerelési utasítás	I Istruzioni de montaggio
PL Instrukcja montażu	P Instruções de instalação	GR Οδηγίες Εγκατάστασης
NL Installatie-instructies	RUS Инструкция по установке	DK Monteringsvejledning
TR Montaj Talimatı	N Monteringsveiledning	RO Instructiuni de instalare